



AR-15 Rifles, Parts & Accessories  
2017

# DEL-TON

INCORPORATED

2016 has been another great year for Del-Ton, we continue to grow and expand so that we can deliver a quality American made rifle at an affordable price. We have brought more parts in house to be manufactured to achieve this. This is all made possible by the great team of people who are Del-Ton.

This year we have seen a lot of news coverage regarding those who serve in uniform. We have had the privilege to spend time with members of our military and law enforcement in the course of shooting product videos for Del-ton. We would like to take this opportunity to express our gratitude to our military and law enforcement. They risk everything so that we may enjoy the freedoms we do. They do it gladly, without complaint. They are all strong and dedicated people who train and work in the most difficult conditions imaginable. We owe it to them to keep their sacrifice in mind, every day.

Finally, our continued success would not be possible without our loyal customers, we thank you for your continued support.

*Tony Autry*

Tony Autry  
CEO, Del-Ton, Inc.



We couldn't have done it without you! Our military (left page) and law enforcement (above) partners are running through training scenarios for our video production team. We couldn't have asked for a better group of people to work with. They worked tirelessly and without complaint.

Rifles

Rifle Kits

Uppers

Lower/Parts

Uppers/Parts

Forends

Optics

Stocks

Accessories

# ECHO Series 16" 5.56 Carbines



## DTI Evolution



**\$1319.05 MSRP**

Product Code **RFTML16-E**

- Barrel:** CMV Chrome Lined 16" Length, 1x9 Twist Mid Length Gas System Threaded Muzzle - A2 Flash Hider Manganese Phosphate Phosphated under Samson Low Profile Gas Block Light Weight Profile - M4 Feed Ramps
- Bolt & Carrier:** Phosphated 8620 Steel Carrier Assy. HPT/MPI Tested Carpenter 158 Bolt Heat Treated and Plated Mil-Spec Chrome Lined Carrier Interior Carrier Key - Chrome Lined, Attached With Grade 8 Screws Properly Staked and Sealed Gas Key
- Upper Receiver:** Forged 7075 T6 Aluminum M4 Feed Ramps A3 Flat Top With White T Marks Hard Coat Anodized Bore's Surface Is Coated With Dry Film Lube, Over The Anodized Surface Mil-Spec Ejection Port Cover and Round Forward Assist Right Hand Ejection
- Lower Receiver:** Forged 7075 T6 Aluminum Hard Coat Anodized Mil-Spec 2 Stage Trigger Aluminum Triggerguard & Mag Catch Button Semi-Auto Magpul MOE+ Grip H-Buffer
- Handguards:** Samson Evolution 12.37" Free Float Rail 2 x 2" Rails Mounted at 3, 9 o'clock & 1 x 4" Rail mounted at 6 o'clock.
- Buttstock:** Magpul CTR Mil-Spec Buttstock Mil-Spec Buffer Tube
- Sights:** Samson Dual Aperture Rear Sight Samson Folding Front Sight
- Weight:** 6.8 lbs.
- Length:** 32.375" Collapsed 35.625" Extended
- Accessories:** All DTI Rifles Include 1 Magazine, Chamber Flag And Gun Lock Unless Stated.

## DTI Extreme Duty Carbine



**\$1119.05 MSRP**

Product Code **EXTREME 316**

- Barrel:** Hammer Forged Chrome Lined CMV, 16" Length 1x7 Twist HPT/MPI Tested Carbine Length Gas System Threaded Muzzle - A2 Flash Hider Manganese Phosphate Phosphated under Front Sight Base Taper Pins on F Marked Front Sight Base M4 Profile - M4 Feed Ramps
- Bolt & Carrier:** Phosphated 8620 Steel Carrier Assy. HPT/MPI Tested Carpenter 158 Bolt Heat Treated and Plated Mil-Spec Chrome Lined Carrier Interior Carrier Key - Chrome Lined, Attached With Grade 8 Screws Properly Staked & Sealed Gas Key
- Upper Receiver:** Forged 7075 T6 Aluminum M4 Feed Ramps A3 Flat Top With White T Marks Hard Coat Anodized Bore's Surface Is Coated With Dry Film Lube, Over The Anodized Surface Mil-Spec Ejection Port Cover Round Forward Assist Right Hand Ejection Samson QuickFlip Dual Aperture Rear Sight
- Lower Receiver:** Forged 7075 T6 Aluminum Hard Coat Anodized Mil-Spec Aluminum Triggerguard & Mag Catch Button Semi-Auto A2 Grip H-Buffer
- Buttstock:** M4 - 5 Position Reinforced Fiber Mil-Spec Buffer Tube
- Weight:** 6.4 lbs. Empty
- Length:** 32.25" Collapsed 35.58" Extended
- Accessories:** All DTI Rifles Include 1 Magazine, Chamber Flag And Gun Lock Unless Stated.
- Handguards:** M4 Carbine Length Aluminum Delta Ring Double Heat Shield

## Echo 316



**\$753.42 MSRP**

Product Code **RFTM16-O**

- Barrel:** Chrome Moly Vanadium 16" Length 1x9 Twist Threaded Muzzle - A2 Flash Hider Manganese Phosphate Phosphated under Front Sight Base Taper Pins on F Marked Front Sight Base M4 Profile - M4 Feed Ramps
- Bolt & Carrier:** Phosphated 8620 Steel Carrier Assy. HPT/MPI Tested Carpenter 158 Bolt Heat Treated and Plated Mil-Spec Chrome Lined Carrier Interior Carrier Key - Chrome Lined, Attached With Grade 8 Screws Properly Staked & Sealed Gas Key
- Upper Receiver:** Forged 7075 T6 Aluminum M4 Feed Ramps A3 Flat Top With White T Marks Hard Coat Anodized Bore's Surface Is Coated With Dry Film Lube, Over The Anodized Surface Mil-Spec Ejection Port Cover Round Forward Assist Right Hand Ejection
- Lower Receiver:** Forged 7075 T6 Aluminum Hard Coat Anodized Mil-Spec Aluminum Triggerguard & Mag Catch Button Semi-Auto A2 Grip H-Buffer
- Buttstock:** M4 - 5 Position Reinforced Fiber Mil-Spec Buffer Tube
- Weight:** 6.2 lbs. Empty
- Length:** 32.25" Collapsed 35.58" Extended
- Accessories:** All DTI Rifles Include 1 Magazine, Chamber Flag And Gun Lock Unless Stated.
- Handguards:** Carbine Length Aluminum Delta Ring Single Heat Shield

## Echo 316/MLOK



**\$863.01 MSRP**

Product Code **RFTH16-MLOK**

- Barrel:** Chrome Moly Vanadium 16" Length 1x9 Twist Carbine Length Gas System Threaded Muzzle, A2 Flash Hider Manganese Phosphate Phosphated under Front Sight Base Taper Pins on F Marked Front Sight Base Heavy Profile - M4 Feed Ramps
- Bolt & Carrier:** Phosphated 8620 Steel Carrier Assy. HPT/MPI Tested Carpenter 158 Bolt Heat Treated and Plated Mil-Spec Chrome Lined Carrier Interior Carrier Key - Chrome Lined, Attached With Grade 8 Screws Properly Staked & Sealed Gas Key
- Upper Receiver:** Forged 7075 T6 Aluminum M4 Feed Ramps A3 Flat Top With White T Marks Hard Coat Anodized Bore's Surface Is Coated With Dry Film Lube, Over The Anodized Surface Mil-Spec Ejection Port Cover Round Forward Assist Right Hand Ejection
- Lower Receiver:** Forged 7075 T6 Aluminum Hard Coat Anodized Mil-Spec Aluminum Triggerguard & Mag Catch Button Semi-Auto Magpul MOE H-Buffer
- Buttstock:** Magpul MOE 5 Position Mil-Spec Buffer Tube
- Weight:** 6.80 lbs. Empty
- Length:** 32.25" Collapsed 35.58" Extended
- Accessories:** All DTI Rifles Include 1 Magazine, Chamber Flag And Gun Lock Unless Stated.
- Handguards:** Magpul MLOK Carbine Length Aluminum Delta Ring

# ECHO Series 16" 5.56 Carbines



## DT Sport OR



Optics ready rifles allow for a view unobstructed by the front sight tower.

**\$705.13 MSRP**

Product Code ORDTSPORT

**Barrel:**  
4140 Steel  
16" Length, 1x9 Twist  
Carbine Length Gas System  
Threaded Muzzle - A2 Flash Hider  
Manganese Phosphate  
Phosphated under Low Pro  
Gas Block  
Light Weight Profile

**Bolt & Carrier:**  
Phosphated 8620 Steel Carrier  
Assembly  
Carpenter 158 Bolt  
Heat Treated and Plated  
Mil-Spec  
Chrome Lined Carrier Interior  
Carrier Key - Chrome Lined,  
Attached with Grade 8 Screws  
Properly Staked and Sealed  
Gas Key

**Upper Receiver:**  
Forged 7075 T6 Aluminum  
A3 Flat Top with White T Marks  
Hard Coat Anodized  
Bore's Surface Is Coated With Dry  
Film Lube, Over The Anodized Surface  
Mil-Spec  
Ejection Port Cover and Round  
Forward Assist  
Right Hand Ejection

**Lower Receiver:**  
Forged 7075 T6 Aluminum  
Hard Coat Anodized  
Mil-Spec  
Aluminum Triggerguard &  
Mag Catch Button  
Semi-Auto  
A2 Grip

**Handguards:**  
CAR Handguard  
Single Heat Shield  
Aluminum Delta Ring  
Assembly

**Buttstock:**  
M4 6-Position Buttstock  
Commercial Buffer Tube

**Weight:** 5.6 lbs. Empty  
**Length:** 32.625" Collapsed  
36.375" Extended

**Accessories:** All DTI Rifles  
Include 1 Magazine, Chamber Flag  
And Gun Lock Unless Stated.

## DT Sport Lite (DTSL)



**\$649.49 MSRP**

Product Code DTSPORTLT

**Barrel:**  
4140 Steel  
16" Length 1x9 Twist  
Carbine Length Gas System  
Threaded Muzzle - A2 Flash Hider  
Manganese Phosphate  
Phosphated under Sight Base  
Taper Pins on A2 Sight Base  
Lightweight Profile

**Bolt & Carrier:**  
Phosphated 8620 Steel Carrier Assy.  
Carpenter 158 Bolt  
Heat Treated and Plated  
Mil-Spec  
Chrome Lined Carrier Interior  
Carrier Key - Chrome Lined, Attached  
With Grade 8 Screws  
Properly Staked & Sealed Gas Key

**Upper Receiver:**  
Forged 7075 T6 Aluminum  
A3 Flat Top with White T Marks  
Hard Coat Anodized  
Bore's Surface Is Coated With  
Dry Film Lube, Over The Anodized  
Surface  
Mil-Spec  
Right Hand Ejection

**Lower Receiver:**  
Forged 7075 T6 Aluminum  
Hard Coat Anodized  
Mil-Spec  
Aluminum Triggerguard  
& Mag Catch Button  
Semi-Auto  
H-Buffer  
A2 Grip

**Handguards:**  
Carbine Length  
Aluminum Delta Ring  
Single Heat Shield

**Buttstock:**  
M4 6-Position Buttstock  
Commercial Buffer Tube

**Weight:** 5.8 lbs. Empty  
**Length:** 36.375" Extended  
32.625" Collapsed

**Accessories:** All DTI  
Rifles Include 1 Magazine,  
Chamber Flag And Gun Lock  
Unless Stated.

## DT Sport



**\$697.44 MSRP**

Product Code DTSPORT

**Barrel:**  
4140 Steel  
16" Length 1x9 Twist  
Carbine Length Gas System  
Threaded Muzzle - A2 Flash Hider  
Manganese Phosphate  
Phosphated under Sight Base  
Taper Pins on A2 Sight Base  
Lightweight Profile

**Bolt & Carrier:**  
Phosphated 8620 Steel Carrier Assy.  
Carpenter 158 Bolt  
Heat Treated and Plated  
Mil-Spec  
Chrome Lined Carrier Interior  
Carrier Key - Chrome Lined,  
Attached With Grade 8 Screws  
Properly Staked & Sealed Gas Key

**Upper Receiver:**  
Forged 7075 T6 Aluminum  
A3 Flat Top with White T Marks  
Hard Coat Anodized  
Bore's Surface Is Coated With  
Dry Film Lube, Over The Anodized  
Surface  
Mil-Spec  
Ejection Port Cover and Round  
Forward Assist  
Right Hand Ejection

**Lower Receiver:**  
Forged 7075 T6 Aluminum  
Hard Coat Anodized  
Mil-Spec  
Aluminum Triggerguard &  
Mag Catch Button  
Semi-Auto  
A2 Grip

**Handguards:**  
CAR Handguard  
Single Heat Shield  
Aluminum Delta Ring  
Assembly

**Buttstock:**  
M4 6-Position Buttstock  
Commercial Buffer Tube

**Weight:** 5.8 lbs. Empty  
**Length:** 32.625" Collapsed  
36.375" Extended

**Accessories:** All DTI Rifles  
Include 1 Magazine, Chamber Flag  
And Gun Lock Unless Stated.

## Echo 316 OR



**\$816.44 MSRP**

Product Code ORFTH16-0

**Barrel:**  
Chrome Moly Vanadium  
16" Length, 1x9 Twist  
Carbine Length Gas System  
Threaded Muzzle - A2 Flash Hider  
Manganese Phosphate  
Phosphated under Single Rail  
Gas Block  
Heavy Profile, M4 Feed Ramps

**Bolt & Carrier:**  
Phosphated 8620 Steel Carrier Assy.  
HPT/MP1 Tested Carpenter 158 Bolt  
Heat Treated and Plated  
Mil-Spec  
Chrome Lined Carrier Interior  
Carrier Key - Chrome Lined, Attached  
with Grade 8 Screws  
Properly Staked and Sealed Gas Key

**Upper Receiver:**  
Forged 7075 T6 Aluminum  
M4 Feed Ramps  
A3 Flat Top with White T Marks  
Hard Coat Anodized  
Bore's Surface Is Coated With Dry  
Film Lube, Over The Anodized  
Surface  
Mil-Spec  
Ejection Port Cover and Round  
Forward Assist  
Right Hand Ejection

**Lower Receiver:**  
Forged 7075 T6 Aluminum  
Hard Coat Anodized  
Mil-Spec  
Aluminum Triggerguard  
& Mag Catch Button  
Semi-Auto  
A2 Grip  
H-Buffer

**Handguards:**  
CAR Handguard  
Single Heat Shield  
Aluminum Delta Ring  
Assembly

**Buttstock:**  
M4 5-Position Buttstock  
Mil-Spec Buffer Tube

**Weight:** 6.5 lbs.  
**Length:** 36.375" Extended  
32.625" Collapsed

**Accessories:** All DTI Rifles  
Include 1 Magazine, Chamber Flag  
And Gun Lock Unless Stated.

# ECHO Series 16" 5.56 Carbines



## Echo 316 H



**\$753.42 MSRP**

**Product Code RFTH16-0**

**Barrel:**  
Chrome Moly Vanadium  
16" Length 1x9 Twist  
Carbine Length Gas System  
Threaded Muzzle - A2 Flash Hider  
Manganese Phosphated  
Phosphated under Front Sight Base  
Taper Pins on F-Marked Front  
Sight Base  
Heavy Profile - M4 Feed Ramps

**Bolt & Carrier:**  
Phosphated 8620 Steel Carrier Assy.  
HPT/MP1 Tested Carpenter 158 Bolt  
Heat Treated and Plated  
Mil-Spec  
Chrome Lined Carrier Interior  
Carrier Key - Chrome Lined, Attached  
With Grade 8 Screws  
Properly Staked & Sealed Gas Key

**Upper Receiver:**  
Forged 7075 T6 Aluminum  
M4 Feed Ramps  
A3 Flat Top With White T Marks  
Hard Coat Anodized  
Bore's Surface Is Coated With  
Dry Film Lube, Over The Ano-  
dized Surface  
Mil-Spec  
Ejection Port Cover  
Round Forward Assist  
Right Hand Ejection

**Lower Receiver:**  
Forged 7075 T6 Aluminum  
Hard Coat Anodized  
Mil-Spec  
Aluminum Triggerguard  
& Mag Catch Button  
Semi-Auto  
H-Buffer  
A2 Grip

**Handguards:**  
Carbine Length  
Aluminum Delta Ring  
Single Heat Shield

**Weight:** 6.6 lbs. Empty  
**Length:** 36.375" Extended  
32.625" Collapsed

**Accessories:** All DTI  
Rifles Include 1 Magazine,  
Chamber Flag And Gun Lock  
Unless Stated.

**Buttstock:**  
M4 - 5 Position  
Buttstock  
Mil-Spec Buffer Tube

## Echo 316 M



**\$821.92 MSRP**

**Product Code RFTMC16-0**

**Barrel:**  
Chrome Moly Vanadium  
16" Length 1x8 Twist  
Carbine Length Gas System  
Threaded Muzzle - A2 Flash Hider  
Manganese Phosphated  
Phosphated under Front Sight Base  
Taper Pins on F-Marked Front  
Sight Base  
Medium Contour  
M4 Feed Ramps

**Bolt & Carrier:**  
Phosphated 8620 Steel Carrier Assy.  
HPT/MP1 Tested Carpenter 158 Bolt  
Heat Treated and Plated  
Mil-Spec  
Chrome Lined Carrier Interior  
Carrier Key - Chrome Lined, Attached  
With Grade 8 Screws  
Properly Staked & Sealed Gas Key

**Upper Receiver:**  
Forged 7075 T6 Aluminum  
M4 Feed Ramps  
A3 Flat Top With White T Marks  
Hard Coat Anodized  
Bore's Surface Is Coated With  
Dry Film Lube, Over The Ano-  
dized Surface  
Mil-Spec  
Ejection Port Cover  
Round Forward Assist  
Right Hand Ejection  
Samson Dual Aperture  
Rear Sight

**Lower Receiver:**  
Forged 7075 T6 Aluminum  
Hard Coat Anodized  
Mil-Spec  
Aluminum Triggerguard  
& Mag Catch Button  
Semi-Auto  
H-Buffer  
A2 Grip

**Handguards:**  
Carbine Length  
Aluminum Delta Ring  
Single Heat Shield

**Weight:** 6.6 lbs. Empty  
**Length:** 36.375" Extended  
32.625" Collapsed

**Accessories:** All DTI  
Rifles Include 1 Magazine,  
Chamber Flag And Gun Lock  
Unless Stated.

**Buttstock:**  
M4 - 5 Position  
Buttstock  
Mil-Spec Buffer Tube

## Echo 311/5 11.5" A3 With 5.5" Flash Hider



**\$821.92 MSRP**

**Product Code RFTH155-C**

**Barrel:**  
Chrome Moly Vanadium 1x9 Twist  
**11.5" Length 5.5" Flash Hider**  
Permanently Attached For A  
Total Length Of 16"  
Phosphated under Front Sight Base  
Taper Pins on F-Marked Front Sight  
Base  
Carbine Gas System - M4 Feed  
Ramps  
Heavy Profile

**Bolt & Carrier:**  
Phosphated 8620 Steel Carrier Assy.  
HPT/MP1 Tested Carpenter 158 Bolt  
Heat Treated and Plated  
Mil-Spec  
Chrome Lined Carrier Interior  
Carrier Key - Chrome Lined,  
Attached With Grade 8 Screws  
Properly Staked & Sealed Gas Key

**Upper Receiver:**  
Forged 7075 T6 Aluminum  
M4 Feed Ramps  
A3 Upper With White T Marks  
Hard Coat Anodized  
Bore Surface Is Coated With  
Dry Film Lube, Over The  
Anodized Surface  
Mil-Spec  
Ejection Port Cover  
Round Forward Assist  
Right Hand Ejection

**Lower Receiver:**  
Forged 7075 T6 Aluminum  
Hard Coat Anodized  
Mil-Spec  
Aluminum Triggerguard  
& Mag Catch Button  
Semi-Auto  
H-Buffer  
A2 Grip

**Handguards:**  
Carbine Length  
Aluminum Delta Ring  
Single Heat Shield

**Weight:** 6.6 lbs. Empty  
**Length:** 34.687" Extended  
31.375" Collapsed

**Accessories:** All DTI Rifles  
Include 1 Magazine, Chamber Flag  
And Gun Lock Unless Stated.

**Buttstock:**  
M4 - 5-Position  
Buttstock  
Mil-Spec Buffer Tube

## Echo 316 L Keymod



**\$920.55 MSRP**

**Product Code RFTLW16-0**

**Barrel:**  
Chrome Moly Vanadium  
M4 Feed Ramps  
16" Length 1x9 Twist  
A2 Flash Hider  
Manganese Phosphated  
Phosphated under Front  
Sight Base  
Taper Pins on F-Marked  
Front Sight Base  
Threaded Muzzle  
Light Weight Profile

**Bolt & Carrier:**  
Phosphated 8620 Steel Carrier Assy.  
HPT/MP1 Tested Carpenter 158 Bolt  
Heat Treated and Plated  
Mil-Spec  
Chrome Lined Carrier Interior  
Carrier Key - Chrome Lined,  
Attached With Grade 8 Screws  
Properly Staked & Sealed Gas Key

**Upper Receiver:**  
Forged 7075 T6 Aluminum  
M4 Feed Ramps  
A3 Upper With White T Marks  
Hard Coat Anodized  
Bore Surface Is Coated With  
Dry Film Lube, Over The  
Anodized Surface  
Mil-Spec  
Ejection Port Cover  
Round Forward Assist  
Right Hand Ejection

**Lower Receiver:**  
Forged 7075 T6 Aluminum  
Hard Coat Anodized  
Mil-Spec  
Aluminum Triggerguard  
& Mag Catch Button  
Semi-Auto  
H-Buffer  
A2 Grip

**Handguards:**  
Carbine Length  
Samson Evolution KeyMod  
7.2" Free Float Rail

**Weight:** 5.8 lbs. Empty  
**Length:** 36.563" Extended  
32.313" Collapsed

**Accessories:** All DTI Rifles  
Include 1 Magazine, Chamber Flag  
And Gun Lock Unless Stated.

**Buttstock:**  
M4 - 5-Position  
Buttstock  
Mil-Spec Buffer Tube

# ECHO Series 16" 5.56 Carbines



Proudly Made In The USA

## Echo 314/15



**\$821.92 MSRP**

Product Code RFTM145X15-0

**Barrel:**  
Chrome Moly Vanadium  
1x9 Twist  
14.5" Length With Pinned  
YHM Phantom Flash Hider  
For Total Length Of 16"  
Manganese Phosphated  
Phosphated under Front  
Sight Base  
Taper Pins on F Marked Front  
Sight Base  
Carbine Length Gas System  
M4 Profile - M4 Feed Ramps

**Bolt & Carrier:**  
Phosphated 8620 Steel  
Carrier Assy.  
HPT/MPI Tested Carpenter  
158 Bolt Heat Treated and Plated  
Mil-Spec  
Chrome Lined Carrier Interior  
Carrier Key - Chrome Lined,  
Attached With Grade 8 Screws  
Properly Staked & Sealed  
Gas Key

**Upper Receiver:**  
Forged 7075 T6 Aluminum  
M4 Feed Ramps  
A3 Upper With White T Marks  
Hard Coat Anodized  
Bore Surface Is Coated With  
Dry Film Lube, Over The  
Anodized Surface  
Mil-Spec  
Ejection Port Cover  
Round Forward Assist  
Right Hand Ejection

**Lower Receiver:**  
Forged 7075 T6 Aluminum  
Hard Coat Anodized  
Mil-Spec  
Aluminum Triggerguard  
& Mag Catch Button  
Semi-Auto  
H-Buffer  
A2 Grip

**Handguards:**  
Carbine Length  
Aluminum Delta Ring  
Single Heat Shield

**Buttstock:**  
M4 - 5 Position  
Buttstock  
Mil-Spec Buffer Tube

**Weight:** 6.0 lbs. Empty  
**Length:** 34.56" Extended  
30.81" Collapsed

**Accessories:** All DTT Rifles  
Include 1 Magazine, Chamber Flag  
And Gun Lock Unless Stated.

## Echo 311N 11.5" A3 NFA Short Barreled Carbine



LE, Military and Class 3 (NFA) Sales Only

**\$753.42 MSRP**

Product Code RFTH11-0

**Barrel:**  
Chrome Moly Vanadium  
11.5" Length 1x9 Twist  
Threaded Muzzle - A2 Flash Hider  
Manganese Phosphated  
Phosphated under Front Sight Base  
Taper Pins on F Marked Front  
Sight Base  
Carbine Gas System  
M4 Feed Ramps  
Heavy Profile

**Bolt & Carrier:**  
Phosphated 8620 Steel  
Carrier Assy.  
HPT/MPI Treated Carpenter  
158 Bolt Heat Treated and Plated  
Mil-Spec  
Chrome Lined Carrier Interior  
Carrier Key - Chrome Lined,  
Attached With Grade 8 Screws  
Properly Staked & Sealed  
Gas Key

**Upper Receiver:**  
Forged 7075 T6 Aluminum  
M4 Feed Ramps  
A3 With White T Marks  
Hard Coat Anodized  
Bore Surface Is Coated With  
Dry Film Lube, Over The  
Anodized Surface  
Mil-Spec  
Ejection Port Cover  
Round Forward Assist  
Right Hand Ejection

**Lower Receiver:**  
Forged 7075 T6 Aluminum  
Hard Coat Anodized  
Mil-Spec  
A2 Grip  
Aluminum Triggerguard  
& Mag Catch Button  
Semi-Auto  
H-Buffer

**Handguards:**  
Carbine Length  
Aluminum Delta Ring  
Single Heat Shield

**Buttstock:**  
M4 - 5 Position  
Buttstock  
Mil-Spec Buffer Tube

**Weight:** 6.0 lbs. Empty  
**Length:** 27.69" Collapsed  
30.93" Extended

**Accessories:** All DTT Rifles  
Include 1 Magazine, Chamber Flag  
And Gun Lock Unless Stated.

## Echo 316P 16" M4 Post Ban Rifle



**\$821.92 MSRP**

Product Code RFTM16-1

**Barrel:**  
Chrome Moly Vanadium  
16" Length 1x9 Twist  
Post Ban Config - Pinned  
YHM Muzzle Break  
Manganese Phosphated  
Phosphated under Front  
Sight Base  
Taper Pins on Post Ban  
Front Sight Base  
Carbine Gas System -  
M4 Feed Ramps  
M4 Profile

**Bolt & Carrier:**  
Phosphated 8620 Steel  
Carrier Assy.  
HPT/MPI Tested Carpenter  
158 Bolt Heat Treated and Plated  
Mil-Spec  
Chrome Lined Carrier Interior  
Carrier Key - Chrome Lined,  
Attached With Grade 8 Screws  
Properly Staked & Sealed  
Gas Key

**Upper Receiver:**  
Forged 7075 T6 Aluminum  
A3 With White T Marks  
Hard Coat Anodized  
Bore Surface Is Coated With  
Dry Film Lube, Over The  
Anodized Surface  
Mil-Spec  
Ejection Port Cover  
Round Forward Assist  
Right Hand Ejection

**Lower Receiver:**  
Forged 7075 T6 Aluminum  
Hard Coat Anodized  
Mil-Spec  
A2 Grip  
Aluminum Triggerguard &  
Mag Catch Button  
Semi-Auto  
A2 Grip  
H-Buffer

**Handguards:**  
Carbine Length  
Aluminum Delta Ring  
Single Heat Shield

**Buttstock:**  
Pinned M4 Style  
Buttstock  
Commercial Buffer Tube

**Weight:** 6.2 lbs. Empty  
**Length:** 36.85"

**Accessories:** All DTT Rifles  
Include 1 Magazine, Chamber Flag  
And Gun Lock Unless Stated.

## ECHO 314N 14.5" A3 NFA Short Barreled Carbine



LE, Military and Class 3 (NFA) Sales Only

**\$753.42 MSRP**

Product Code RFTM145-0

**Barrel:**  
Chrome Moly Vanadium  
14.5" Length 1x9 Twist  
Threaded Muzzle - A2 Flash Hider  
Manganese Phosphated  
Phosphated under Front Sight Base  
Taper Pins on F Marked Front  
Sight Base  
Carbine Gas System  
M4 Feed Ramps  
M4 Profile

**Bolt & Carrier:**  
Phosphated 8620 Steel Carrier Assy.  
HPT/MPI Tested Carpenter 158 Bolt  
Heat Treated and Plated  
Mil-Spec  
Chrome Lined Carrier Interior  
Carrier Key - Chrome Lined, Attached  
With Grade 8 Screws  
Properly Staked & Sealed Gas Key

**Upper Receiver:**  
Forged 7075 T6 Aluminum  
M4 Feed Ramps  
A3 With White T Marks  
Hard Coat Anodized  
Bore Surface Is Coated With  
Dry Film Lube, Over The  
Anodized Surface  
Mil-Spec  
Ejection Port Cover  
Round Forward Assist  
Right Hand Ejection

**Lower Receiver:**  
Forged 7075 T6 Aluminum  
Hard Coat Anodized  
Mil-Spec  
A2 Grip  
Aluminum Triggerguard  
& Mag Catch Button  
Semi-Auto  
H-Buffer

**Handguards:**  
Carbine Length  
Aluminum Delta Ring  
Single Heat Shield

**Buttstock:**  
M4 - 5 Position  
Buttstock  
Mil-Spec Buffer Tube

**Weight:** 6.0 lbs. Empty  
**Length:** 30.75" Collapsed  
34.06" Extended

**Accessories:** All DTT Rifles  
Include 1 Magazine, Chamber Flag  
And Gun Lock Unless Stated.

# ECHO Series 16" 5.56, 7.62x39 & .308 Carbiners



## Echo 216



**\$890.41 MSRP**

**Product Code RA2M16-0**

**Barrel:**  
Chrome Moly Vanadium  
16" Length 1x9 Twist  
Carbine Length Gas System  
Threaded Muzzle - A2 Flash Hider  
Manganese Phosphated  
Phosphated under Front Sight Base  
Taper Pins on A2 Front Sight Base  
M4 Profile

**Bolt & Carrier:**  
Phosphated 8620 Steel  
Carrier Assy.  
HPT/MP1 Tested Carpenter  
158 Bolt  
Heat Treated and Plated  
Mil-Spec  
Chrome Lined Carrier Interior  
Carrier Key - Chrome Lined,  
Attached With Grade 8 Screws  
Properly Staked & Sealed  
Gas Key

**Upper Receiver:**  
Forged 7075 T6 Aluminum  
A2 Configuration With Rear Sight  
Hard Coat Anodized  
Bore's Surface Coated With Dry Film  
Lube, Over The Anodized Surface  
Mil-Spec  
Ejection Port Cover  
Round Forward Assist  
Right Hand Ejection

**Lower Receiver:**  
Forged 7075 T6 Aluminum  
Hard Coat Anodized  
Mil-Spec  
Aluminum Triggerguard  
& Mag Catch Button  
Semi-Auto  
H-Buffer  
A2 Grip

**Handguards:**  
Carbine Length  
Aluminum Delta Ring  
Single Heat Shield

**Weight:** 6.6 lbs. Empty  
**Length:** 36.375" Extended  
32.625" Collapsed

**Accessories:** All DTI Rifles  
Include 1 Magazine, Chamber  
Flag And Gun Lock Unless Stated.

**Buttstock:**  
M4 - 5 Position  
Buttstock  
Mil-Spec Buffer Tube

## Echo 300BLK



**\$890.41 MSRP**

**Product Code RBFT16-0**

**Barrel:**  
CMV  
16" Length, 1x7 Twist  
Carbine Gas System  
Threaded Muzzle -  
A2 Flash Hider  
Manganese Phosphate  
Phosphated under  
F-Marked Front  
Sight Base  
Heavy Profile -  
M4 Feed Ramps

**Bolt & Carrier:**  
Phosphated 8620 Steel  
Carrier Assy  
HPT/MP1 Tested Carpenter  
158 Bolt  
Heat Treated & Plated  
Mil-Spec  
Chrome Lined Carrier  
Interior  
Carrier Key - Chrome Lined,  
Attached with Grade 8  
Screws  
Properly Staked and  
Sealed Gas Key

**Upper Receiver:**  
Forged 7075 T6 Aluminum  
M4 Feed Ramps  
A3 Flat Top with White T Marks  
Hard Coat Anodized  
Bore's Surface is coated with dry  
film lube, over the anodized surface  
Mil-Spec  
Ejection Port Cover and Round  
Forward Assist  
Right Hand Ejection

**Lower Receiver:**  
M4 Mil-Spec Buttstock  
Mil-Spec Buffer Tube  
H-Buffer

**Handguards:**  
Carbine Length  
Aluminum Delta Ring  
Single Heat Shield

**Buttstock:**  
M4 Mil-Spec Buttstock  
Mil-Spec Buffer Tube  
H-Buffer

**Weight:** 6.6 lbs. Empty  
**Length:** 36.375" Extended  
32.625" Collapsed

**Accessories:** All DTI  
Rifles Include 1 Magazine,  
Chamber Flag And Gun Lock  
Unless Stated.

**Chamber:**  
300 Blackout

## Echo 308



**\$947.62 MSRP**

**Product Code R3FT16-0**

**Barrel:**  
CMV 16" Length,  
1x10 Twist  
Carbine Gas System  
Threaded Muzzle With  
A2 Style Flash Hider  
Manganese Phosphate  
Phosphated under Front  
Sight Base  
Heavy Profile  
M4 Feed Ramps

**Bolt & Carrier:**  
Phosphated 8620 Steel  
Carrier Assy  
9310 Bolt  
Heat Treated & Plated  
Chrome Lined Carrier Interior  
Carrier Key - Chrome Lined,  
Attached with Grade 8 Screws  
Properly Staked and Sealed  
Gas Key

**Upper Receiver:**  
Forged 7075 T6 Aluminum  
DPMS Height Receiver  
Picatinny Rail  
Hard Coat Anodized  
Ejection Port Cover and  
Round Forward Assist  
Right Hand Ejection

**Lower Receiver:**  
Forged 7075 T6 Aluminum  
Hard Coat Anodized  
Integrated Trigger guard  
Aluminum Mag Catch Button  
Semi-Auto  
A2 Grip

**Buttstock:**  
M4 Buttstock - Mil-Spec Diameter  
H-Buffer

**Accessories:**  
Includes 1 20 round Magpul  
PMag .308 Magazine, Chamber  
Flag And Gun Lock Unless Stated.

**Weight:** 8.2 lbs. Empty  
**Length:** 34.25" Collapsed  
37.50" Extended

**Handguards:**  
Carbine Length Knurled  
Free Float Tube

**Chamber:**  
7.62 x 51 NATO

## Echo 7.62 x 39



**\$753.42 MSRP**

**Product Code R7FT16-0**

**Barrel:**  
16" Length, 1x10 Twist CMV  
Carbine Gas System  
Threaded Muzzle - A2 Flash Hider  
(5/8x24 thread)  
Manganese Phosphate  
Phosphated under F-Marked  
Front Sight Base  
Heavy Profile - M4 Feed Ramps

**Bolt & Carrier:**  
Phosphated 8620 Steel  
Carrier Assy  
Carpenter 158 Bolt  
Heat Treated & Plated  
Mil-Spec  
Chrome Lined Carrier  
Interior  
Carrier Key - Chrome  
Lined, Attached with  
Grade 8 Screws  
Properly Staked and  
Sealed Gas Key

**Upper Receiver:**  
Forged 7075 T6 Aluminum  
M4 Feed Ramps  
A3 Flat Top with White T Marks  
Hard Coat Anodized with dry  
film lube  
Mil-Spec  
Ejection Port Cover and Round  
Forward Assist  
Right Hand Ejection

**Lower Receiver:**  
Forged 7075 T6 Aluminum  
Hard Coat Anodized  
Mil-Spec  
Aluminum Triggerguard &  
Mag Catch Button  
Semi-Auto  
A2 Grip

**Handguards:**  
Carbine Length  
Aluminum Delta Ring  
Single Heat Shield

**Buttstock:**  
M4 Mil-Spec Buttstock  
Mil-Spec Buffer Tube  
H-Buffer

**Weight:** 6.6 lbs. Empty  
**Length:** 32.25" Collapsed  
35.58" Extended

**Accessories:** All DTI Rifles  
Include 1 Magazine, Chamber Flag  
And Gun Lock Unless Stated.

# SIERRA Series 16" 5.56 Midlength Carbines



## Sierra 3G



**\$1319.05 MSRP**  
Product Code RFTML3G16-0

**Barrel:** CMV 16" Length, 1x8 Twist Mid Length Gas System Threaded Muzzle - DTI Brake Manganese Phosphate Phosphated under Front Sight Base Low Profile Gas Block Light Weight Profile M4 Feed Ramps

**Chamber:** .223 Wyde

**Bolt & Carrier:** Phosphated 8620 Steel Carrier Assy HPT/MPI Tested Carpenter 158 Bolt Heat Treated & Plated Mil-Spec Chrome Lined Carrier Interior Carrier Key - Chrome Lined, Attached with Grade 8 Screws Properly Staked and Sealed Gas Key

**Upper Receiver:** Forged 7075 T6 Aluminum M4 Feed Ramps A3 Flat Top with White T Marks Hard Coat Anodized Bore's Surface is coated with dry film lube, over the anodized surface Mil-Spec Ejection Port Cover and Round Forward Assist Right Hand Ejection

**Handguards:** Samson Evolution 15" Free Float Rail 2 x 2" Rails Mounted at 3, 9 o'clock & 1 x 4" Rail mounted at 6 o'clock.

**Buttstock:** Magpul CTR Mil-Spec Buttstock Mil-Spec Buffer Tube H-Buffer

**Lower Receiver:** Forged 7075 T6 Aluminum Hard Coat Anodized Mil-Spec CMC Single Stage Match Trigger Aluminum Triggerguard & Mag Catch Button Semi-Auto Ergo Ambi Sure Grip

**Accessories:** Includes 1 Magpul 30 round PMag Magazine, Chamber Flag And Gun Lock Unless Stated.

## Sierra 316 H



**\$753.42 MSRP**  
Product Code RFTMH16-0

**Barrel:** Chrome Moly Vanadium 16" Length 1x9 Twist Mid-Length Gas System M4 Feed Ramps Threaded Muzzle - A2 Flash Hider Manganese Phosphate Phosphated under Front Sight Base Taper Pins on F Marked Front Sight Base Heavy Profile

**Bolt & Carrier:** Phosphated 8620 Steel Carrier Assy, HPT/MPI Tested Carpenter 158 Bolt Heat Treated and Plated Mil-Spec Chrome Lined Carrier Interior Carrier Key - Chrome Lined, Attached With Grade 8 Screws Properly Staked & Sealed Gas Key

**Upper Receiver:** Forged 7075 T6 Aluminum M4 Feed Ramps A3 Flat Top With White T Marks Hard Coat Anodized Bore Surface Is Coated With Dry Film Lube, Over The Anodized Surface Mil-Spec Ejection Port Cover And Round Forward Assist Right Hand Ejection

**Lower Receiver:** Forged 7075 T6 Aluminum Hard Coat Anodized Mil-Spec Aluminum Triggerguard & Mag Catch Button Semi-Auto H-Buffer A2 Grip

**Handguards:** Mid-Length Aluminum Delta Ring Single Heat Shield

**Buttstock:** M4 5-Position Buttstock Mil-Spec Buffer Tube

**Weight:** 7.0 lbs. Empty  
**Length:** 36.375" Extended 32.625" Collapsed

**Accessories:** All DTI Rifles Include 1 Magazine, Chamber Flag And Gun Lock Unless Stated.

## Sierra 316 MLOK



**\$876.71 MSRP**  
Product Code RFTMH16-MLOK  
RFTMH16-MLOK DE Dark Earth  
RFTMH16-MLOK OD OD Green

**Barrel:** Chrome Moly Vanadium 16" Length 1x9 Twist Mid-Length Gas System M4 Feed Ramps Threaded Muzzle - A2 Flash Hider Manganese Phosphate Phosphated under Front Sight Base Taper Pins on F Marked Front Sight Base Heavy Profile

**Bolt & Carrier:** Phosphated 8620 Steel Carrier Assy, HPT/MPI Tested Carpenter 158 Bolt Heat Treated and Plated Mil-Spec Chrome Lined Carrier Interior Carrier Key - Chrome Lined, Attached With Grade 8 Screws Properly Staked & Sealed Gas Key

**Upper Receiver:** Forged 7075 T6 Aluminum M4 Feed Ramps A3 Flat Top With White T Marks Hard Coat Anodized Bore Surface Is Coated With Dry Film Lube, Over The Anodized Surface Mil-Spec Ejection Port Cover Round Forward Assist Right Hand Ejection

**Lower Receiver:** Forged 7075 T6 Aluminum Hard Coat Anodized Mil-Spec Magpul MOE Grip & 30rd PMag Included Magpul MOE Triggerguard Aluminum Mag Catch Button Semi-Auto H-Buffer

**Handguards:** Magpul MOE Mid-Length Length Heat Resistant Polymer Construction Aluminum Delta Ring

**Buttstock:** Magpul MOE Polymer Stock Mil-Spec Buffer Tube

**Weight:** 7.00 lbs. Empty  
**Length:** 32.56" Collapsed 35.50" Extended

**Accessories:** All DTI Rifles Include 1 Magazine, Chamber Flag And Gun Lock Unless Stated.

## Accessorize!



Del-ton is your one-stop shop for quality AR parts and accessories. Just about everything you can imagine to accessorize your new AR-15 can be found on the following pages or our website. Have questions? Don't hesitate to call us at 910 645-2172.



# ALPHA Series 20" 5.56 Rifles & LIMA 5.56 Pistol



## Alpha 320 H



**\$821.92 MSRP**  
Product Code RFTH20F-0

**Barrel:**  
Chrome Moly Vanadium  
20" Length 1x9 Twist  
Rifle Length Gas System  
Threaded Muzzle - A2 Flash  
Hider  
Manganese Phosphated  
Phosphated under Front  
Sight Base  
Taper Pins on F Marked Front  
Sight Base  
Heavy Profile - M4 feed  
Ramps

**Bolt & Carrier:**  
Phosphated 8620 Steel  
Carrier Assy.  
HPT/MPI Tested Carpenter  
158 Bolt Heat Treated and  
Plated  
Mil-Spec  
Chrome Lined Carrier Interior  
Carrier Key - Chrome Lined,  
Attached With Grade 8 Screws  
Properly Staked & Sealed  
Gas Key

**Upper Receiver:**  
Forged 7075 T6 Aluminum  
M4 Feed Ramps  
A3 Flat Top With White T Marks  
Hard Coat Anodized  
Bore's Surface Is Coated With  
Dry Film Lube, Over The Ano-  
dized Surface  
Mil-Spec  
Ejection Port Cover  
Round Forward Assist  
Right Hand Ejection

**Lower Receiver:**  
Forged 7075 T6 Aluminum  
Hard Coat Anodized  
Mil-Spec  
Aluminum Triggerguard  
& Mag Catch Button  
Semi-Auto  
A2 Grip

**Handguards:**  
Rifle Length  
Aluminum Delta Ring  
Single Heat Shield

**Buttstock:**  
Standard A2 Black Zytel  
With Trap Door Assembly

**Weight:** 8.0 lbs. Empty  
**Length:** 39.5"

**Accessories:** All DTI Rifles  
Include 1 Magazine, Chamber Flag  
And Gun Lock Unless Stated.

## Alpha 320 G



**\$821.92 MSRP**  
Product Code RFTGP20F-0

**Barrel:**  
Chrome Moly Vanadium  
20" Length 1x9 Twist  
Government Profile  
Rifle Length Gas System  
Threaded Muzzle - A2 Flash  
Hider  
Manganese Phosphated  
Phosphated under Front  
Sight Base  
Taper Pins on F Marked Front  
Sight Base  
M4 Feed Ramps

**Bolt & Carrier:**  
Phosphated 8620 Steel  
Carrier Assy.  
HPT/MPI Tested Carpenter  
158 Bolt Heat Treated and  
Plated  
Mil-Spec  
Chrome Lined Carrier Interior  
Carrier Key - Chrome Lined,  
Attached With Grade 8 Screws  
Properly Staked & Sealed  
Gas Key

**Upper Receiver:**  
Forged 7075 T6 Aluminum  
M4 Feed Ramps  
A3 Flat Top With White T Marks  
Hard Coat Anodized  
Bore's Surface Is Coated With  
Dry Film Lube, Over The Ano-  
dized Surface  
Mil-Spec  
Ejection Port Cover  
Round Forward Assist  
Right Hand Ejection

**Lower Receiver:**  
Forged 7075 T6 Aluminum  
Hard Coat Anodized  
Mil-Spec  
Aluminum Triggerguard  
& Mag Catch Button  
Semi-Auto  
A2 Grip

**Handguards:**  
Rifle Length  
Aluminum Delta Ring  
Single Heat Shield

**Buttstock:**  
Standard A2 Black Zytel  
With Trap Door Assembly

**Weight:** 7.4 lbs. Empty  
**Length:** 39.5"

**Accessories:** All DTI Rifles  
Include 1 Magazine, Chamber Flag  
And Gun Lock Unless Stated.

## Alpha 220 H



**\$917.81 MSRP**  
Product Code RA2H20F-0

**Barrel:**  
Chrome Moly Vanadium  
20" Length 1x9 Twist  
Rifle Length Gas System  
Threaded Muzzle - A2 Flash  
Hider  
Manganese Phosphated  
Phosphated under Front  
Sight Base  
Taper Pins on A2 Front  
Sight Base  
Heavy Profile

**Bolt & Carrier:**  
Phosphated 8620 Steel  
Carrier Assy.  
HPT/MPI Tested Carpenter  
158 Bolt Heat Treated and  
Plated  
Mil-Spec  
Chrome Lined Carrier Interior  
Carrier Key - Chrome Lined,  
Attached With Grade 8 Screws  
Properly Staked & Sealed  
Gas Key

**Upper Receiver:**  
Forged 7075 T6 Aluminum  
A2 Configuration With Rear Sight  
Hard Coat Anodized  
Bore's Surface Is Coated With Dry  
Film Lube, Over The Anodized  
Surface  
Mil-Spec  
Ejection Port Cover  
Round Forward Assist  
Right Hand Ejection

**Lower Receiver:**  
Forged 7075 T6 Aluminum  
Hard Coat Anodized  
Mil-Spec  
Aluminum Triggerguard  
& Mag Catch Button  
Semi-Auto  
A2 Grip

**Handguards:**  
Rifle Length  
Aluminum Delta Ring  
Single Heat Shield

**Buttstock:**  
Standard A2 Black Zytel  
With Trap Door Assembly

**Weight:** 8.3 lbs. Empty  
**Length:** 39.5"

**Accessories:** All DTI Rifles  
Include 1 Magazine, Chamber Flag  
And Gun Lock Unless Stated.

## Lima Keymod Pistol



**\$876.71 MSRP**  
Product Code PFT75-0

**Barrel:**  
Chrome Moly Vanadium  
M4 Feed Ramps  
7.5" Length  
1x9 Twist  
A2 Flash Hider  
Manganese Phosphated  
Threaded Muzzle  
Heavy Profile  
Chamber: 5.56 X 45 mm

**Bolt And Carrier:**  
Phosphated 8620 Steel Carrier Assembly  
Carpenter 158 Bolt HPT/MPI Tested  
Heat Treated and Plated  
Mil-Spec  
Chrome Lined Carrier Interior  
Carrier Key - chrome lined, attached  
with Grade 8 Screws  
Properly Staked & Sealed Gas Key

**Upper Receiver:**  
Forged 7075 T6 Aluminum  
Flat Top with M4 Feed Ramps  
Hard Coat Anodized  
Mil-Spec  
Ejection Port Cover and  
Round Forward Assist  
Right Hand Ejection  
Bore's surface is coated  
with dry film lube, over  
the anodized surface.

**Lower Receiver:**  
Forged 7075 T6 Aluminum  
Hard Coat Anodized  
Mil-Spec  
Aluminum Triggerguard  
Semi-Auto  
Aluminum Mag Catch Button  
Pistol Buffer Tube  
**Handguards:**  
Pistol Length  
Samson Evolution Keymod 6.5"  
Free Float Rail

**Weight:**  
4.8 lbs Empty

**Length:**  
23.125"

**Accessories:**  
1 - 30rd PMag  
Gun Lock

# Rifle Kits



Del-Ton offers a full-line of AR-15 rifle kits. All Del-Ton rifles and rifle kits are built and tested for quality and firing capabilities, so you know you are the owner of a functional, effective, quality piece of equipment. Del-Ton AR-15 rifle kits use top quality U.S. made Mil-Spec parts for all rifle kits. AR-15 rifle kits come with upper assembly, lower parts kit and buttstock. All Del-ton kits are chambered in 5.56x45, unless otherwise stated.

**Rifle kits do not include a lower receiver.**



## 20" Heavy Rifle Kit RKT102

20" Heavy barreled rifle kit comes with everything needed to complete a stripped lower receiver. The barrel options available are a 1x9 twist in Chrome Moly Vanadium or chrome lined. The kit includes a fully assembled, headspaced and test fired upper receiver, a lower parts kit and A2 buttstock. Rifle kit does not include stripped lower receiver or magazines.



\$510.00

## 20" Lightweight Rifle Kit RKT110

20" Lightweight barreled rifle kit comes with everything needed to complete a stripped lower receiver. This barrel is a 1x9 twist in Chrome Moly Vanadium. The kit includes a fully assembled, headspaced and test fired upper receiver, a lower parts kit and A2 buttstock. Rifle kit does not include stripped lower receiver or magazines.



\$510.00

## 20" Government Profile Rifle Kit RKT106

20" Government profile barreled rifle kit comes with everything needed to complete a stripped lower receiver. This barrel has a 1x9 twist made of Chrome Moly Vanadium. The kit includes a fully assembled, headspaced and test fired upper receiver, a lower parts kit and A2 buttstock. Rifle kit does not include stripped lower receiver or magazines.



\$510.00

## 16" Mid-Length Rifle Kit RKT104

16" Mid-length rifle kit comes with everything needed to complete a stripped lower receiver. The barrel options available are 1x9 Chrome Moly Vanadium, Chrome Lined, 1x7 Chrome Lined. Kit includes fully assembled, headspaced and test fired upper receiver, lower parts kit and M4 5 position mil-spec buttstock. Rifle kit does not include stripped lower receiver or magazines.



\$497.17

## 16" M4 Rifle Kit RKT100

This 16" M4 profile rifle kit comes with everything needed to complete a stripped lower receiver. The following barrel options available are 1x9 Chrome Moly Vanadium or Chrome Lined 1x9 and a Chrome Lined 1x7. The kit includes a fully assembled, head-spaced and test fired upper receiver, lower parts kit and M4 5 position mil-spec buttstock. Rifle kit does not include stripped lower receiver or magazines.



\$489.58

# Rifle Kits



## 16" Rifle Kit RKT101

This 16" heavy barreled rifle kit comes with everything needed to complete a stripped lower receiver. The barrel options available are 1x9 Chrome Moly Vanadium or Chrome Lined. The kit includes a fully assembled, headspaced and test fired upper receiver, lower parts kit and M4 5 position mil-spec buttstock. Rifle kit does not include stripped lower receiver or magazines.



\$479.17

## 16" Lightweight Rifle Kit RKT103

16" Lightweight barreled rifle kit comes with everything needed to complete a stripped lower receiver. The barrel options available are 1x9 Chrome Moly Vanadium or Chrome Lined. The kit includes a fully assembled, headspaced and test fired upper receiver, lower parts kit and M4 5 position mil-spec buttstock. Rifle kit does not include stripped lower receiver or magazines.



\$479.17

## 11.5" Rifle (NFA) Kit RKT107

This 11.5" heavy profile rifle kit comes with everything needed to complete a stripped lower receiver. The following barrel options available are 1x9 Chrome Moly Vanadium or Chrome Lined. The kit includes a fully assembled, headspaced and test fired upper receiver, lower parts kit and M4 5 position mil-spec buttstock. Rifle kit does not include stripped lower receiver or magazines.



\$479.17

## 14.5" Rifle (NFA) Kit RKT109

This 14.5" M4 profile rifle kit comes with everything needed to complete a stripped lower receiver. The following barrel options available are 1x9 Chrome Moly Vanadium or Chrome Lined. The kit includes a fully assembled, headspaced and test fired upper receiver, lower parts kit and M4 5 position mil-spec buttstock. Rifle kit does not include stripped lower receiver or magazines.



\$479.17

## 16" Dissipator Rifle Kit RKT112

This 16" heavy barreled rifle kit comes with everything needed to complete a stripped lower receiver. This rifle kit is available with a 1x9 Chrome Moly Vanadium barrel. The kit includes a fully assembled, headspaced and test fired upper receiver, lower parts kit and M4 5 position mil-spec buttstock. Rifle kit does not include stripped lower receiver or magazines.



\$489.58

## 16" M4 - MLOK Rifle Kit RKT100-MLOK

This 16" M4 profile rifle kit comes with everything needed to complete a stripped lower receiver. The barrel is 1x9 Chrome Moly Vanadium. The kit includes a fully assembled, headspaced and test fired upper receiver, lower parts kit and Magpul MOE mil-spec buttstock, MOE pistol grip and MLOK handguard. Available in Black, Dark Earth and OD Green. Rifle kit does not include stripped lower receiver or magazines.



\$562.50

## 16" Mid-Length Lightweight Rifle Kit RKT108

16" Mid-length rifle lightweight kit comes with everything needed to complete a stripped lower receiver. This barrel is a 1x9 twist in Chrome Moly Vanadium. A chrome lined option is available. Kit includes fully assembled, headspaced and test fired upper receiver, lower parts kit and M4 5 position mil-spec buttstock. Rifle kit does not include stripped lower receiver or magazines.



\$479.17

## 11.5" Pistol Kit RKT107-P

11.5" pistol kit comes with everything needed to complete a stripped lower receiver that has been registered as a pistol. This barrel is a 1x9 twist in Chrome Moly Vanadium. Kit includes fully assembled, headspaced and test fired upper receiver, lower parts kit and pistol buffer tube. Rifle kit does not include stripped lower receiver or magazines.



\$479.17

# COMPLETE BARREL ASSEMBLIES



Del-Ton offers a full line of complete barrel assemblies. All our barrel assemblies are assembled, head-spaced and test fired for quality and firing capabilities so you know you are receiving a functional, effective, quality piece of equipment.

Del-Ton AR-15 barrel assemblies use top quality U.S. made mil-spec parts. AR-15 barrel assemblies include a complete upper assembly; CMV barrel with M4 feed ramps, flat top upper, F-marked front sight base, A2 flash hider and an HPT/MPI Mil-Spec bolt and carrier assembly. All barrel assemblies are chambered in 5.56x45 unless otherwise stated.

All you need to complete your complete barrel assembly is a Del-Ton complete lower receiver, available on page 27.



Most models can be upgraded to chrome-lined. See our website, [del-ton.com](http://del-ton.com) for details.



**DT1013 20" Pre-Ban Flat Top Barrel Assembly**  
Includes: 20" 1x9 twist Chrome Moly Vanadium barrel, M4 feed ramps, flat top upper, bolt and carrier assembly, charging handle, standard handguards.  
Price: \$415.00



**DT1012 20" Pre-Ban A2 Barrel Assembly**  
Includes: 20" 1x9 twist, Chrome Moly Vanadium heavy barrel, A2 upper, bolt and carrier assembly, charging handle, standard handguards.  
Price: \$450.00



**DT1030 20" Pre-Ban Flat Top Gov't Profile Barrel Assembly**  
Includes: 20" 1x9 twist Chrome Moly Vanadium barrel, flat top upper with M4 feed ramps, bolt and carrier assembly, charging handle, standard handguards.  
Price: \$415.00



**DT1034 20" Pre-Ban Flat Top Lightweight Barrel Assembly**  
Includes: 20" 1x9 twist Chrome Moly Vanadium barrel, M4 feed ramps, flat top upper, bolt and carrier assembly, charging handle, standard handguards.  
Price: \$415.00



**DT1014 16" Pre-Ban A2 Barrel Assembly**  
Includes: 16" 1x9 twist Chrome Moly Vanadium heavy barrel, A2 upper, bolt and carrier assembly, charging handle, CAR handguards.  
Price: \$450.00



**DT1007 16" Pre-Ban Flat Top Barrel Assembly**  
Includes: 16" 1x9 twist, Chrome Moly Vanadium barrel, flat top upper, M4 feed ramps, bolt and carrier assembly, charging handle CAR handguards.  
Price: \$415.00



**DT1008 16" Pre-Ban M4 A2 Barrel Assembly**  
Includes: 16" 1x9 twist, Chrome Moly Vanadium M4 barrel, A2 upper, bolt and carrier assembly, charging handle, CAR handguards.  
Price: \$450.00



**DT1009 16" Pre-Ban M4 Flat Top Barrel Assembly**  
Includes: 16" 1x9 twist Chrome Moly M4 Vanadium barrel, M4 feed ramps, flat top upper, bolt and carrier assembly, charging handle, CAR handguards.  
Price: \$415.00



**EX100 16" Extreme Duty Barrel Assembly**  
16" Hammer Forged 1x7 twist CMV Chrome Lined, HPT/MPI tested barrel, carbine length gas system, threaded muzzle - A2 flash hider, M4 profile M4 feed ramps, HPT/MPI tested Carpenter 158 bolt, heat treated & plated mil-spec chrome lined carrier interior,  
Price: \$590.00

# Complete Barrel Assemblies

Most models can be upgraded to chrome-lined. See our website for details.



**DT1021 16" Pre-Ban Flat Top Light Weight Barrel Assembly**  
Includes: 16" 1x9 twist, Chrome Moly Vanadium light weight barrel, M4 feed ramps, flat top upper, bolt and carrier assembly, charging handle, CAR handguards.  
Price: \$415.00



**DT1022 16" Pre-Ban A2 Light Weight Barrel Assembly**  
Includes: 16" 1x9 twist, Chrome Moly Vanadium light weight barrel, 5.56mm A2 upper, bolt and carrier assembly, charging handle, CAR handguards.  
Price: \$450.00



**DT2001 16" Mid-Length Barrel Assembly with YHM Flip Up Front Sight Gas Block**  
Del-Ton 16" Mid-Length Barrel Assembly with YHM Flip Up Front Sight Gas Block. 16" mid-length Chrome Moly Vanadium barrel assembly. M4 feed ramps. Upper comes assembled, head-spaced and test fired.  
Price: \$450.00



**DT2000 16" M4 Chrome Lined Barrel Assembly with M4 Handguards and Side Sling Adapter**  
16" M4 Chrome lined barrel assembly with M4 Handguards M4 feed ramps and side sling adapter This is a fully assembled upper, headspaced and test fired.  
Price: \$506.00



**DT1023 16" Mid-Length Flat Top Barrel Assembly**  
Includes: 16" mid-length, 1x9 twist, Chrome Moly Vanadium barrel, M4 feed ramps, flat top upper, bolt and carrier assembly, charging handle, mid length handguards.  
Price: \$415.00



**DT1024 16" Mid-Length A2 Barrel Assembly**  
Includes: 16" mid-length, 1x9 twist, Chrome Moly Vanadium barrel, A2 upper, bolt and carrier assembly, charging handle, mid length handguards.  
Price: \$450.00



**DT1033 16" 1x7 CL Mid-Length Flat Top Barrel Assembly**  
Includes: 16" mid-length, 1x7 twist, Chrome Lined barrel, M4 feed ramps, flat top upper, bolt and carrier assembly, charging handle, mid length handguards.  
Price: \$450.00



**DT1035 16" Mid-Length A3 Lightweight Barrel Assembly**  
Includes: 16" mid-length, 1x9 twist, Chrome Moly Vanadium, M4 feed ramps, flat top upper, bolt and carrier assembly, charging handle, midlength handguards.  
Price: \$415.00



**DT1027 16" Dissipator Pre-Ban A2 Barrel Assembly**  
Includes: 16" dissipator 1x9 twist Chrome Moly Vanadium barrel, full sight radius, A2 upper, bolt and carrier assembly, charging handle, standard length handguards.  
Price: \$450.00



**DT1026 16" Dissipator Pre-Ban Flat Top Barrel Assembly**  
Includes: 16" dissipator 1x9 twist Chrome Moly Vanadium barrel, full sight radius, flat top upper, bolt and carrier assembly, charging handle, standard length handguards. M4 feed ramps.  
Price: \$430.00



**DT1010 20" Post-Ban A2 Barrel Assembly**  
This upper is assembled, head spaced and test fired  
Includes: 20" 1x9 twist, Chrome Moly Vanadium barrel, A2 upper, bolt and carrier assembly, charging handle, standard handguards.  
Price: \$450.00



**DT1011 20" Post-Ban Flat Top Barrel Assembly**  
This upper is assembled, head spaced and test fired. Includes: 20" Post-Ban 1x9 twist chrome moly vanadium barrel, flat top upper, M4 feed ramps, bolt and carrier assembly, charging handle, standard handguards.  
Price: \$415.00



**DT1016 16" Post-Ban A2 Barrel Assembly**  
Includes: 16" 1x9 twist, Chrome Moly Vanadium barrel, A2 upper, bolt and carrier assembly, charging handle, CAR handguards.  
Price: \$450.00



**DT1015 16" A3 Post-Ban Flat Top Barrel Assembly**  
Includes: 16" 1x9 twist, Chrome Moly Vanadium barrel, flat top upper, M4 feed ramps, bolt and carrier assembly, charging handle, CAR handguards.  
Price: \$415.00



**DT1031 16" A3 Barrel Assembly With 11.5" Heavy Profile Barrel With A Permanently Attached 5.5" Flash Hider.**  
Includes: 11.5" Chrome Moly Vanadium, 1x9 twist, barrel permanently attached 5.5" flash hider, M4 feed ramps, flat top upper, bolt and carrier assembly, charging handle, CAR handguards.  
Price: \$430.00



**DT1032 16" A2 Barrel Assembly With 11.5" Heavy Profile Barrel With A Permanently Attached 5.5" Flash Hider.**  
Includes: 11.5" Chrome Moly Vanadium, 1x9 twist, barrel permanently attached 5.5" flash hider, A2 upper, bolt and carrier assembly, charging handle, CAR handguards.  
Price: \$450.00

## Complete Barrel Assemblies

Most models can be upgraded to chrome-lined. See our website for details.



**CV1033 16" Pre-Ban Flat Top Barrel Assembly**  
**Cal. 7.62 x 39 with 1:10 Twist**  
Includes: 16" Chrome Moly Vanadium barrel, flat top upper, M4 feed ramps, bolt and carrier assembly, charging handle, CAR handguards.  
Retail: \$430.00



**CV1034 16" Pre-Ban A2 Barrel Assembly**  
**Cal. 7.62 x 39 with 1:10 Twist**  
Includes: 16" Chrome Moly Vanadium barrel, A2 upper, bolt and carrier assembly, charging handle, CAR handguards.  
Retail: \$465.00



**DT2003 16" 300 Blackout Flat Top Barrel Assembly**  
**Cal. 300 Blackout**  
Includes: 16" 1x7 twist, Chrome Moly Vanadium barrel, flat top upper, M4 feed ramps, bolt and carrier assembly, charging handle, CAR handguards.  
Retail: \$430.00



**DT1018 14.5" M4 Flat Top Barrel Assembly**  
Includes: 14.5" 1x9 twist Chrome Moly Vanadium M4 barrel, flat top upper, M4 feed ramps, bolt and carrier assembly, charging handle, CAR handguards.  
**SBR, M-16, or pistol only!**  
Price: \$430.00



**DT1019 11.5" Flat Top Barrel Assembly**  
Includes: 11.5" 1x9 twist, Chrome Moly Vanadium barrel, flat top upper, M4 feed ramps, bolt and carrier assembly, charging handle, CAR handguards. **SBR, M-16, or pistol only!**  
Price: \$420.00



**DT1020 11.5" A2 Barrel Assembly**  
Includes: 11.5" 1x9 twist, Chrome Moly Vanadium barrel, A2 upper, bolt and carrier assembly, charging handle, CAR handguards. **SBR, M-16, or pistol only!**  
Price: \$450.00

## Custom Uppers

Build your own DTI Custom Barrel Assembly. Choose your preferred barrel type, then select handguards, gas blocks, upper receiver, flash hiders, bolt and carrier groups. The extensive range of DTI brand pieces and name brand pieces let you build the upper of your dreams and budget! See our website for details regarding the custom build of your DTI Barrel Assembly.

## LOWER RECEIVERS AND PARTS



Del-Ton, Inc. uses U.S. made Mil-Spec parts for all lower receiver parts and accessories. We proudly manufacture all of our components here in the U.S. using the best materials available! Check out our complete lower receiver models. For a complete range of options to customize your AR-15 lower receiver, see our website. Contact us with any questions about our products or pricing – we're here to help!

# Lower Receivers And Parts

Del-Ton offers custom laser engraving on lower receivers. FFL License of Dealer must be on file before order is placed. We do not ship any lowers to California or New York. For more details, visit del-ton.com



**LR100 Stripped AR-15 Lower Receiver**  
Forged 7075 T6 Aluminum that has been hardcoat anodized. Stripped lower only, does not include any internal parts.

Must be shipped to FFL dealer.

Price: \$125.00



**LR101 Complete AR-15 Lower Receiver**  
Forged 7075 T6 Aluminum that has been hardcoat anodized. Complete lower receiver includes all internal parts and is completely assembled.

Must be shipped to FFL dealer.

Price: \$185.00

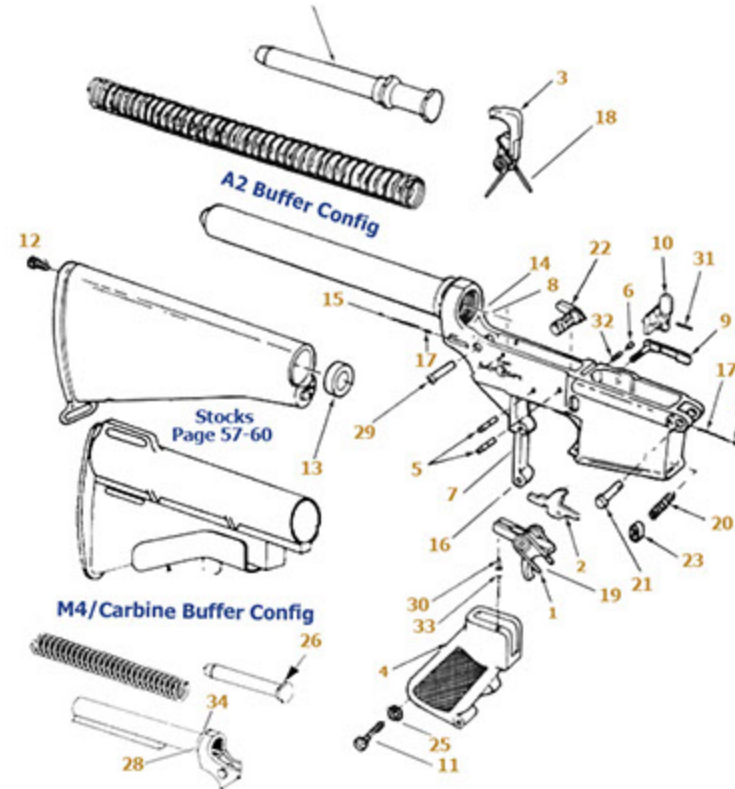


**LR102 Complete AR-15 Lower Receiver**

Forged 7075 T6 Aluminum that has been hardcoat anodized. Complete lower receiver includes all internal parts & buttstock and is completely assembled. There are many stock, grip and lower parts options available. Call us or visit our website for more information.

Must be shipped to FFL dealer.

Price: \$245.00



**LP1045 Complete Lower Parts Kit**

Includes: Pistol Grip, Trigger, Hammer, Disconnecter, Selector, Bolt Catch Spring, Detent Spring, Bolt Catch Button, Take Down Detent, Bolt Catch, Magazine Catch Spring, Bolt Catch Roll Pin, Magazine Catch Button, Magazine Catch, Front Pivot Pin, Hammer Spring, Trigger Spring, Pistol Grip Screw, Pistol Grip Lock Washer, Selector Spring, Detent Selector, Hammer Pin, Trigger Pin, Take Down Pin, Buffer Retainer Pin, Buffer Retainer Spring, Trigger Guard And Disconnecter Spring.  
Price: \$60.00

- 1) LP1035 Trigger Price: \$12.95
- 2) LP1033 Disconnecter Price: \$5.00
- 3) LP1018 Hammer Price: \$14.95
- 4) GP1017 A2 Pistol Grip Price: \$5.00

- 5) LP1041 Trigger Pin Price: \$1.15
- 6) LP1022 Bolt Catch Detent Price: \$0.99
- 7) LP1049 Trigger Guard Price: \$5.95
- 8) LP1046 Buffer Detent Price: \$1.95
- 9) LP1026 Magazine Catch Price: \$5.95
- 10) LP1023 Bolt Catch Price: \$6.95
- 11) LP1037 Pistol Grip Screw Price: \$0.75
- 12) LP1044 A2 Stock Screw Price: \$1.75
- 13) LP1043 A2 Stock Spacer Price: \$2.00
- 14) LP1047 Buffer Detent Spring Price: \$0.95
- 15) LP1029 Take Down Detent Price: \$0.65
- 16) LP1048 Trigger Guard Pin Price: \$0.95
- 17) LP1028 Detent Spring Price: \$0.65
- 18) LP1019 Hammer Spring Price: \$1.95
- 19) LP1036 Trigger Spring Price: \$1.95
- 20) LP1030 Mag Catch Spring Price: \$0.65
- 21) LP1032 Front Take Down Pin Price: \$3.50
- 22) LP1020 Selector Price: \$10.50
- 23) LP1031 Mag Catch Button Price: \$3.00
- 24) LP1034 Spring Disconnecter Price: \$0.65
- 25) LP1038 Pistol Grip Lock Washer Price: \$0.40
- 26) LP1015 Carbine Buffer Price: \$8.75
- 27) LP1014 Std A2 Buffer Price: \$13.00
- 28) BS1011 Receiver End Plate Price: \$5.25
- 29) LP1042 Rear Take Down Pin Price: \$3.50
- 30) LP1040 Selector Detent Price: \$0.95
- 31) LP1025 Bolt Catch Roll Pin Price: \$0.95
- 32) LP1021 Bolt Catch Spring Price: \$0.70
- 33) LP1039 Selector Spring Price: \$0.70
- 34) BS1010 Castle Nut Price: \$5.50
- LP1082 Troy Ambi Selector Price: \$53.95

# Lower Receiver Parts



**KM1017 Knight's Armament Two Stage Trigger**  
Knights adjustable match 2 stage trigger and hammer set for .154 dia hammer/trigger pins.  
**Price: \$329.80**



**LP1011 Rock River Arms National Match Trigger**  
2 Stage National Match Trigger  
**Price: \$120.00**

**LP1010 AR15 Single Stage Adjustable trigger.** - Features precision ground sear geometry combined with over travel and engagement adjustments in a nearly drop in kit to make a refined trigger. **Price: \$119.00**  
**LP1009 AR15 Adjustable For Large Pin Lower** - Features precision ground sear geometry combined with over travel and engagement adjustments in a nearly drop in kit to make a refined trigger. **Price: \$119.00**  
**LP1101 JP EZ Trigger** JP Drop-in .156" Small pin AR fire control kit including speed hammer, oversize anti-walk pins and adjustable/reversible selector. **Price: \$259.00**



**LP1060 Del-Ton 2-Stage Trigger Set**  
The Two Stage Match Trigger is designed for an easy drop in assembly. The two stages combine for a smooth even 4.2-4.6 lb. trigger pull. All critical working parts are precision ground to ensure the highest accuracy. All parts are heat treated and case hardened. Designed for .154" pins. **Price: \$110.00**



**LP1045-HU Del-Ton 2-Stage Trigger Set**  
With Complete Lower Parts Kit  
**Price: \$150.00**



**LP1063 CMC 2-Stage Flat Trigger Set 2lb Set- 2lb Release**  
A fine match grade trigger pull is now an extremely simple upgrade to implement. Install the fully self-contained, ready-to-go trigger group. **Price: \$230.00**



**LP1064 CMC 2-Stage Curved Trigger Set - 2lb Set- 2lb Release**  
A fine match grade trigger pull is now an extremely simple upgrade to implement. Install the fully self-contained, ready-to-go trigger group. **Price: \$230.00**



**LP1062 CMC Single Stage Trigger Set 3.5 Lb. - Curved**  
CMC's multi-patented designs, a fine match grade trigger pull is now an extremely simple upgrade to implement. Install the fully self-contained, ready-to-go trigger group **Price: \$167.99**



**LP1061 CMC Single Stage Trigger Set 3.5 Lb. - Flat**  
CMC's multi-patented designs, a fine match grade trigger pull is now an extremely simple upgrade to implement. Install the fully self-contained, ready-to-go trigger group **Price: \$167.99**



**GP1069 Magpul MOE SL Grip**  
Similar to the MOE-K2, the MOE SL Grip is a drop-in upgrade for AR15/M4 pistol grips with a more vertical grip angle optimized for short LOP weapons. Black, FDE or OD Green **Price: \$18.95**  
**Magpul MOE K2 Grip**  
GP1065 Pistol grips with a more vertical grip angle. Black, FDE or OD Green **Price: \$19.90**  
**Magpul MIAD Gen 1.1 Grip**  
GP1068 Black, FDE or OD Green **Price: \$34.15**  
**Magpul MOE Grip**  
GP1044 Black, FDE or OD Green, Pink **Price: \$18.95**  
**Magpul MOE + Grip**  
GP1045 Black, FDE or OD Green **Price: \$22.75**

All MOE, MOE + and MIAD grips are compatible with Magpul's core storage units. K2 grips and cores are not compatible with other models.



**GP1032 Ergo Tactical Deluxe Grip with Adj. Ambi Palm Shelf**  
Fits .223 or .308. AR's SUREGRIP™ material. Fits med to large hands best. **Price: \$58.00**



**Ergo AR Suregrip Deluxe Pistol Grip**  
GP1031 Black **Price: \$32.00**



**GP1035 Magpul MIAD Core Holds Two 123A Batteries**  
For MIAD or MOE holds two 123A lithium type batteries. Waterproof. **Price: \$14.20**



**GP1037 Magpul MIAD Core Holds Bolt And Firing Pin**  
For either the MIAD or MOE grips. Holds one standard AR15/M16 complete bolt. **Price: \$14.20**



**GP1036 Magpul MIAD Core Holds AA Or N Batteries**  
For MIAD or MOE holds two AA, AAA or 2 N size batteries in a waterproof unit. **Price: \$14.20**



**GP1050 - Ergo 2 AR Grip**  
Fits .223 & .308 AR-15 lowers. Ergo finger grooves. SUREGRIP™ non-slip grip. Incl. The Gapper™ **Price: \$29.95**



**GP1022 Tango Down Battle Grip**  
**Price: \$33.00**



**GP1025 Ergo Rigid Grip**  
Includes gapper and plug in OD Green **Price: \$21.95**



**GP1010 Original Ergo Grip (Rt Hand)** Fits .223 AR-15's. Lt. side thumb shelf. Finger grooves. SUREGRIP™ texture. Incl. The Gapper™ **Price: \$22.50**



**Ergo Suregrip Ambi Pistol Grip**  
GP1004 Green, Dark Earth or Black **Price: \$24.50**



**LP1081 Troy Ambi Mag Release**  
Accommodates left-handed shooters. **Price: \$63.95**



**LP1083 Troy Ambi Bolt Release**  
Easily release bolt with left or right hand. Streamlines firearm clearing and reloading. **Price: \$28.50**



**LP1097 Magpul B.A.D. Lever**  
The Magpul B.A.D. Lever (Battery Assist Device) is designed to considerably improve the speed and efficiency of the AR15/M16 bolt catch. **Price: \$28.45**



**LP1084 Troy Enhanced Trigger Guard**  
Allows shooter to access trigger while wearing a glove. Fills width gap on receivers. **Price: \$24.50**



**LP1094 Magpul MOE Trigger Guard**  
Polymer drop in replacement for the M16/AR15 rifles. Fills the annoying "gap" at the rear of the trigger guard. Black, OD or FDE **Price: \$8.50**



**LP1076 Magpul Enhanced Trigger Guard**  
Aluminum drop in replacement for the M16/AR15 weapons platform. **Price: \$18.95**



# UPPER RECEIVERS AND PARTS



Browse our full selection of AR-15 upper assemblies and barrels, as well as sights, handguards and gas blocks to find the right enhancements for your rifle.

We stock AR 15 complete upper parts including a wide variety of spring pins, rear sight assemblies and much more. Our AR-15 upper receiver category includes a wide variety of essential components made in the U.S from top quality materials.

Del-Ton manufactures all our mil-spec barrels from Chrome Moly Vanadium. As with all our products, our barrels are rigorously quality control tested, to ensure you receive the best of the best.

We manufacture our own bolts to exacting standards. All bolts are Carpenter 158 and are heat treated and plated Mil-Spec. Our carriers have chrome lined interiors and keys. We use grade 8 screws, and all are properly staked & sealed.



**UR1000 Stripped A3 Upper Receiver**  
**UR1011 Stripped A3 Upper With M4 Feed Ramps**  
 Flat Top Upper With White T Marks  
 Price: Each \$83.00



**UR1003 Stripped A2 Upper Receiver**  
 Carry Handled A2 Upper  
 Price: \$99.95



**UR1020 Complete A3 Upper Receiver**  
**UR1022 Complete A3 Upper With M4 Feed Ramps**  
 Flat Top Upper With White T Marks. Includes: Forward Assist Assembly, Ejection Port Cover Assembly  
 Price: Each \$95.00



**UR1019 Complete A2 Upper Receiver**  
 Includes: Rear Sight, Forward Assist Assembly  
 Ejection Port Cover Assembly  
 Price: \$138.00



**UR1027 Vltor MUR Upper With Deflector**  
 The Modular Upper Receiver (MUR) is a rigid MilSpec flat-top upper receiver made to fit all MR15/M16/M4 rifles and carbines. This more rigid upper receiver will increase accuracy and reliability, while extending the life of the interfacing components, such as the bolt carrier group and barrel assembly.  
 Price: \$189.95



**UR1026 Vltor MUR Carbine Length Upper With Deflector**  
 The VIS combines the upper receiver to the handguard assembly. The VIS utilizes conventional "off the shelf" barrels with the use of a special barrel nut (provided with the VIS upper receiver kit). Four M1913 Picatinny rails come equipped with each system. The lower handguard is removable to give access for an installation of an M203 Grenade Launcher.  
 Price: \$569.95

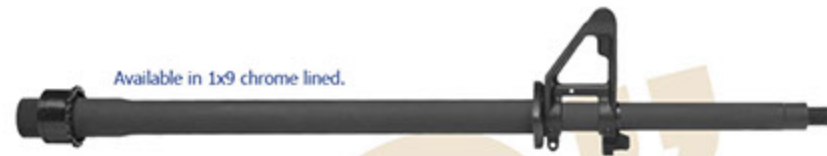


**UR1025 Vltor MUR Mid Length Upper With Deflector**  
 Price: \$598.45

# Barrels

All Del-Ton 1x9 twist barrels are made from Chrome Moly Vanadium and include barrel nut handguard caps and an F marked front sight base. All 1x7 Twist barrels are chrome lined and include all of the same parts. All barrels are button rifled, right hand twist and have a diameter of under gas block 0.750". Barrels are threaded 1/2" x 28.

DTI Mil-spec Barrels are Manganese Phosphated, including under the front sight base. Taper pins on front sight base. Chamber is 5.56x45mm, unless stated otherwise.



Available in 1x9 chrome lined.

**BL1015 20" Heavy Profile Barrel**  
Includes: 20" 1x9 twist chrome moly vanadium barrel  
Also available in a 1x9 Chrome lined option. M4 feed ramps. Does NOT include front sight post, detent, spring or front sling and rivet.  
Price: \$154.00



**BL1014 20" Post Ban Heavy Profile Barrel**  
20" 1x9 twist chrome moly vanadium barrel. M4 feed ramps. Comes with FSB without bayonet lug, barrel nut, and handguard cap. Does NOT include front sight post detent, spring or front sling and rivet. Target crowned.  
Price: \$154.00



**BL1027 20" Government Profile Barrel**  
Includes: 20" 1x9 twist chrome moly vanadium barrel. M4 feed ramps. Does NOT include front sight post, detent, spring or front sling and rivet.  
Price: \$154.00



**BL1028 20" Lightweight Barrel**  
Includes: 20" 1x9 twist chrome moly barrel. M4 feed ramps. Does NOT include front sight post, detent, spring or front sling and rivet.  
Price: \$154.00



Available in 1x9 chrome lined.

**BL1013 16" Heavy Barrel**  
1x9 twist chrome moly vanadium barrel. M4 feed ramps. Does NOT include front sight post, detent, spring or front sling and rivet.  
Price: \$154.00



Available in 1x7 & 1x9 chrome lined.

**BL1010 16" M4 Barrel**  
1x9 twist chrome moly vanadium barrel. Also available in 1x7 or 1x9 Chrome Lined M4 feed ramps. Does NOT include front sight post, detent, spring or front sling and rivet.  
Price: \$169.00



Available in 1x9 chrome lined.

**BL1051 16" Lightweight Profile Barrel**  
1x9 twist chrome moly vanadium barrel. M4 feed ramps. Does NOT include front sight post, detent, spring or front sling and rivet.  
Price: \$154.00



**BL1012 16" Post Ban Heavy Profile Barrel**  
16" 1x9 twist chrome moly vanadium barrel. Comes with FSB without bayonet lug, barrel nut and handguard cap, and M4 feed ramps. Does NOT include front sight post detent, spring or front sling and rivet. Target Crowned.  
Price: \$154.00



Available in 1x7 & 1x9 chrome lined.

**BL1058 16" Mid-Length Heavy Barrel**  
1x9 twist chrome moly vanadium barrel, Also available in a 1x7 Chrome lined option. M4 feed ramps. Does NOT include front sight post detent, spring or front sling and rivet.  
Price: \$154.00



**BL1088 16" Mid-Length Lightweight Barrel**  
1x9 twist chrome moly vanadium barrel, M4 feed ramps. Does NOT include front sight post detent, spring or front sling and rivet.  
Price: \$154.00



**BL1017 16" Dissipator Barrel**  
1x9 twist chrome moly vanadium barrel, rifle length gas system, M4 feed ramps. Does NOT include front sight post detent, spring or front sling and rivet.  
Price: \$154.00



**BL1082F 16" 7.62x39 Barrel**  
**7.62x39 5/8 x 24 Thread**  
1x10 twist chrome moly vanadium barrel, carbine length gas system, M4 feed ramps. Does NOT include front sight post detent, spring or front sling and rivet.  
Price: \$169.00



Available in 1x9 chrome lined.

**BL1006 11.5" Heavy Barrel**  
1x9 twist chrome moly vanadium barrel, Also available in a 1x9 Chrome lined option. M4 feed ramps. Does NOT include front sight post, detent, spring or front sling and rivet.  
**For use on NFA rifles or AR15 pistols.**  
Price: \$154.00



Available in 1x9 chrome lined.

**BL1009 14.5" M4 Barrel**  
1x9 twist chrome moly vanadium barrel, Also available in a 1x9 Chrome lined option. M4 feed ramps. Does NOT include front sight post, detent, spring or front sling and rivet.  
**For use on NFA rifles or AR15 pistols.**  
Price: \$169.00

# Upper Receiver Parts

All Del-Ton Bolt And Carrier Parts Are Mil-Spec With Phosphated 8620 Steel Carrier Assembly, And Chrome Lined Interior. Our Carpenter 158 Bolts Are Heat Treated And Plated. We Attach Our Chrome Lined Carrier Keys With Grade 8 Screws And Properly Stake Them. All DTI Bolts Are Individually HPT/MPI Tested.

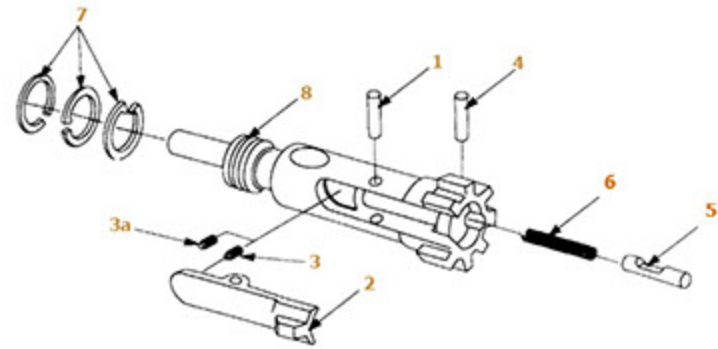
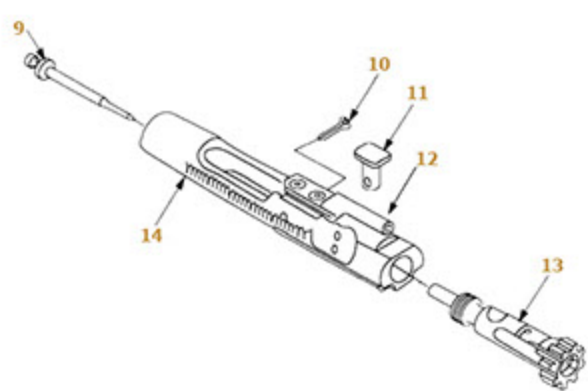


Diagram numbering on this page matches website diagrams. Please use Del-Ton product codes when ordering.



**BC1044 Complete AR-15 Bolt and Carrier Assembly**  
Price: \$110.00  
**BC1046 Complete M16 Bolt And Carrier Assembly**  
Price \$110.00



**BC1030 Complete Hard Chrome AR-15 Bolt And Carrier Assembly**  
Price: \$158.00  
**BC1052 Mil Spec Chrome M16 Bolt And Carrier Assembly**  
Price: \$158.00



**14) BC1009 Mil Spec AR-15 Bolt Carrier And Key With Screws**  
Price: \$60.00  
**14) BC1011 Mil Spec M16 Bolt Carrier And Key With Screws**  
Price: \$60.00

- 1) BC1015 Extractor Pin Price: \$1.95
- 2) BC1016 Extractor Price: \$13.00
- 3) BC1017 Extractor Spring Assy Price: \$1.95
- 4) BC1018 Ejector Roll Pin Price: \$0.95
- 5) BC1019 Ejector Price: \$2.95
- 6) LP1039 Ejector Spring Price: \$0.70
- 7) BC1021 Gas Rings, Set of 3 Price: \$3.00

- 9) BC1006 Firing Pin Price: \$5.95
- 10) BC1005 Firing Pin Retaining Pin Price: \$1.95
- 11) BC1007 Cam Pin Price: \$4.50
- 12) BC1014 Carrier Key Screws Sold Individually Price: \$0.95
- 13) BC1008 Complete Bolt Assy HPT/MPI Tested Price: \$45.00

- 13) BP1040 Carbine Length Gas Tube Price: \$11.00
- BP1039 Rifle Length Gas Tube Price: \$11.00
- BP1072 Mid Length Gas Tube Price: \$11.00

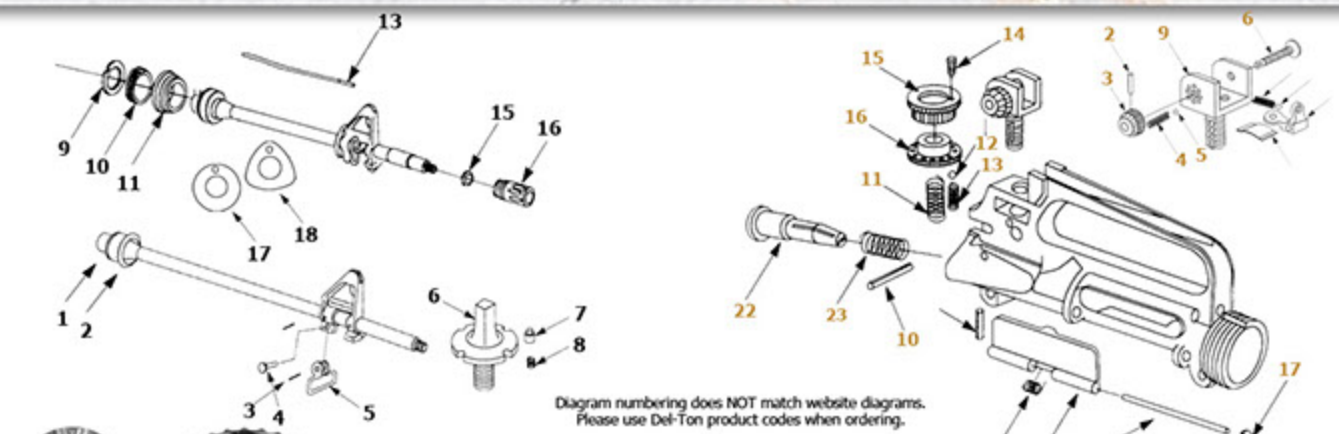


Diagram numbering does NOT match website diagrams. Please use Del-Ton product codes when ordering.

- |  |  |   |   |  |  |  |   |   |
|--|--|---|---|--|--|--|---|---|
| 1) BP1033 Barrel Extension Price: \$17.25                  | 2) BP1032 Barrel Nut Price: \$6.00             | 3,4) BP1036 Taper Pin Price: \$0.75                   | 5) BP1030 BP1031 Rivet Sling Swivel Price: \$2.00 Rivet: \$0.50 | 6) BP1027 Sight Post Price: \$5.00   | 7) BP1028 Sight Detent Price: \$0.75                                     | 8) BP1029 Sight Spring Price: \$0.50   | 9) BP1050 HG Snap Ring Price: \$1.95  | 10) BP1049 Delta Spring Price: \$4.95                         |
| 11) BP1048 Delta Ring Price: \$7.95                        | 15) BP1026 Crush Washer Price: \$2.95          | 16) BP1019 A1 Flash Hider Price: \$8.00               | 16) BP1020 A2 Flash Hider Price: \$6.00                         | 17) BP1041 Handguard Cap - Round Price: \$3.95   | 18) BP1042 Handguard Cap - Tri Price: \$3.50                             | 2) UP1007 A2 Windage Knob Spring Pin Price: \$0.75   | 3) UP1008 A2 Windage Knob Price: \$6.00   | 4,13) UP1009 A2 Sight Springs Price: \$0.75 Sold Individually |
| 5,12) UP1010 Ball Bearings Price: \$0.50 Sold Individually | 6) UP1011 Windage Knob Screw Price: \$3.50     | 7) UP1012 A2 Sight Aperture Price: \$6.95             | 8) UP1013 A2 Sight Flat spring Price: \$0.95                    | 9) UP1014 A2 Sight Base Price: \$17.50   | 10) UP1015 A2 Sight Pin Price: \$0.95                                    | 11) UP1016 Knob Spring Price: \$0.95   | 14) UP1017 A2 Index Screw Price: \$1.75   |   |
| 15) UP1018 A2 Index Elevation Price: \$5.75                | 16) UP1019 A2 Elevation Knob Price: \$6.50     | 17) UP1020 Ejection Port Hinge Pin Clip Price: \$0.50 | 18) UP1021 Ejection Port Cover Pin Price: \$1.50                | 19) UP1022 Ejection Port Cover Spring Price: \$0.75  | 20) UP1023 Ejection Port Cover Price: \$5.75                             | 21) UP1025 Forward Assist Pin Price: \$0.75  | BP1054 Delta Ring Assembly Handguard snap ring Weld spring Handguard slip ring Price: \$12.95 |   |
| 22) UP1002 Forward Assist Price: \$7.50                    | 23) UP1028 Forward Assist Spring Price: \$0.75 | UP1043 Badger Tactical Latch Price: \$19.95           | UP1005 Charging Handle Price: \$17.00                           | UP1024 Ejection Port Cover Assembly Ejection port cover Spring, Pin Hinge pin clip Price: \$6.50 | UP1003 Forward Assist Assembly Forward assist Spring, Pin Price: \$11.25 | UP1045 A2 Rear Sight Assembly Sight spring pin, Windage knob, 3 Rear sight springs 3 ball bearings, Windage knob screw, A2 sight aperture, Flat spring, Rear sight base, Elevation knob spring Rear sight index screw Rear sight index elevation Sight elevation knob Price: \$38.00 |   |   |
|  |  |   |   |  |  | UP1047 Badger Gen II Tac Latch Price: \$19.95  |   |   |

All Del-Ton Parts Are Mil-Spec And U.S. Made All Parts Are Either Hard Chromed Or Are Hard Coat Anodized.

# Upper Receiver Parts



- |  |  |  |  |  |   |  |   |
|--|--|--|--|--|---|--|---|
|  |  |  |  |  |   |  |   |
| BP1078<br>YHM 28-5M2<br>Price: \$28.50 | BP1065<br>YHM 28-5M1<br>Price: \$28.50 | BP1004<br>YHM 28-5C2<br>Price: \$28.50 | BP1023 YHM<br>28 Phantom<br>Price: \$28.50 | BP1089 YHM<br>Annihilator 5.56<br>Price: \$36.00 | BP1082<br>Vltor VC-A1<br>Price: \$54.00 | BP1080<br>Vltor VC-1<br>Price: \$58.95 | BP1081<br>Vltor VC-A2<br>Price: \$54.00 |

- |  |   |  |   |  |  |
|--|---|--|---|--|--|
|  |   |  |   |  |  |
| BP1084 Troy<br>Medieval 5.56<br>Price: \$43.95 | BP1085 Troy<br>Medieval 6.8mm<br>Price: \$43.95 | BP1086 Troy<br>Medieval 5.56<br>Price: \$43.95 | BP1087 Troy<br>Medieval 6.8mm<br>Price: \$43.95 | BP1088 Troy<br>Claymore 5.56<br>Price: \$62.95 | BP1017<br>5.5" Flash Hider<br>Price: \$16.95 |

- |  |  |   |   |   |
|--|--|---|---|---|
|  |  |   |   |   |
| BP1070 YHM Lo<br>Profile Gas Block<br>Price: \$21.50 | PRI110 PRI Lo<br>Profile Gas Block<br>Price: \$52.00 | BP1073 Samson Mfg<br>Lo Profile Gas Block<br>Price: \$55.10 | BP1057 Troy .936"<br>Lo Profile Gas Block<br>Price: \$37.95 | BP1056 Troy Lo<br>Profile Gas Block<br>Price: \$33.95 |

- |  |  |   |   |  |
|--|--|---|---|--|
|  |  |   |   |  |
| BP1058 Troy 2" .750"<br>Lo Profile Gas Block<br>Price: \$57.95 | BP1066 YHM 1<br>Rail Gas Block<br>Price: \$59.70 | BP1053 YHM 4 Railed<br>Gas Block 9380<br>Price: \$74.20 | BP1074 YHM Gas Block<br>With Bayo Lug<br>Price: \$71.30 | BP1012 YHM 2 Railed<br>Gas Block 9390A<br>Price: \$67.00 |

- |   |   |  |   |
|---|---|--|---|
|   |   |  |   |
| ST1029 Vltor Gas<br>Block & Flip Front Sight<br>Price: \$224.00 | ST1028 YHM Gas Block<br>& Hooded Flip Front Sight<br>Price: \$86.00 | ST1018 YHM Gas Block<br>& Flip Front Sight<br>Price: \$86.00 | ST1035 YHM Gas Block<br>& Flip Front Sight With<br>Bottom Rail<br>Price: \$111.40 |

- |   |  |   |   |
|---|--|---|---|
|   |  |   |   |
| ST1046 Troy Micro Rear<br>HK Front Flip Up Sight Set<br>Price: \$197.95 | ST1046DE Troy Micro<br>Flip Up Sight Set HK Front<br>Price: \$197.95 | ST1047 Troy Micro DOA Rear<br>M4 Front Flip Up Sight Set<br>Price: \$197.95 | ST1047DE Troy Micro DOA Rear<br>M4 Front Flip Up Sight Set<br>Price: \$197.95 |

- |   |   |   |  |  |
|---|---|---|--|--|
|   |   |   |  |  |
| ST1044 Troy HK<br>Gas Block Mounted<br>Folding Front Sight<br>Price: \$127.95 | ST1045DE Troy M4<br>Gas Block Mounted<br>Folding Front Sight<br>Price: \$127.95 | ST1045 Troy M4<br>Gas Block Mounted<br>Folding Front Sight<br>Price: \$127.95 | ST1039 Troy<br>Folding Rear Sight<br>Price: \$117.95 | ST1036 Troy DOA<br>Folding Rear Sight<br>Price: \$117.95 |

- |  |  |   |   |   |
|--|--|---|---|---|
|  |  |   |   |   |
| ST1036DE Troy DOA<br>Folding Rear Sight<br>Price: \$117.95 | ST1039DE Troy<br>Folding Rear Sight<br>Price: \$117.95 | ST1038 Troy DOA<br>Fixed Rear Sight<br>Price: \$63.95 | ST1038DE Troy DOA<br>Fixed Rear Sight<br>Price: \$63.95 | ST1037 Troy HK<br>Folding Front Sight<br>Price: \$97.95 |

- |   |   |   |   |   |
|---|---|---|---|---|
|   |   |   |   |   |
| ST1037DE Troy HK<br>Folding Front Sight<br>Price: \$97.95 | ST1041 Troy M4<br>Folding Front Sight<br>Price: \$97.95 | ST1040 Troy Fixed<br>Rear Sight<br>Price: \$63.95 | ST1040DE Troy<br>Fixed Rear Sight<br>Price: \$63.95 | ST1042 Troy HK Style<br>Fixed Front Sight<br>Price: \$53.95 |

- |   |   |   |   |  |
|---|---|---|---|--|
|   |   |   |   |  |
| ST1043DE Troy M4<br>Fixed Front Sight<br>Price: \$53.95 | ST1042DE Troy HK<br>Fixed Front Sight<br>Price: \$53.95 | ST1041DE Troy M4<br>Folding Front Sight<br>Price: \$97.95 | ST1043 Troy M4 Style<br>Fixed Front Sight<br>Price: \$53.95 | ST1017 YHM QDS<br>Hooded Flip Up<br>Front & Rear<br>Folding Sight Set<br>Price: \$184.40 |

## Upper Receiver Parts



**KM1033 KAC 600m Folding Rear Sight**  
Price: \$153.00



**KM1024 KAC Micro Folding Front Sight**  
Price: \$153.00



**KM1021 Knight's 300m Rear Sight**  
Price: \$158.00



**KM1022 Knight's 600m Rear Sight**  
Price: \$199.50



**ST1034 DTI/Samson Flip Rear Sight**  
Price: \$84.95



**ST1025 Magpul MBUS Flip Up Rear Sight** FDE, OD or Black  
Price: \$55.05



**ST1024 Magpul MBUS Flip Up Front Sight** Black, OD or FDE  
Price: \$37.95



**ST1051 Magpul MBUS PRO Flip Up Front Sight**  
Price: \$80.70



**ST1052 Magpul MBUS PRO Flip Up Rear Sight**  
Price: \$99.70



**ARMS154 ARMS 71L Polymer Flip Sight Set**  
Price: \$87.95



**ST1027 YHM QDS Flip Up Front & Rear Sight Set**  
Price: \$184.40



**ARMS120 ARMS 40L Low Profile Flip Up Rear Sight**  
Price: \$118.00



**ARMS118 ARMS 40 Flip Up Rear Sight**  
Price: \$105.00



**ARMS119 ARMS 40A Flip Up Rear Sight**  
Price: \$105.00



**ARMS151 ARMS 41-B Flip Front/Gas Block**  
Price: \$145.50



**ST1000 YHM Flip Up Rear Sight**  
Price: \$84.70



**ST1021 YHM Gas Block Front Sight**  
Price: \$76.30



**ST1002 YHM Flip Up Front Sight**  
Price: \$76.30



**MT1019 A2 Carry Handle With Rear Sight**  
Price: \$85.00

## HANDGUARDS



Del-Ton, Inc. offers forends for every use. Our full selection includes a variety of lengths, designs, and colors. Sturdy forends from YHM, Magpul, ARMS, Samson, and Troy give the operator ability to customize for any task, at any budget. From the smooth slim lines to rugged four rails, Del-Ton carries 2 piece drop-ins, as well as free floating forends.



## Carbine Length Foreends



**CAR Round Handguards**  
A2 Round Handguards Fit Round Caps  
HG1014 - Black HG1017 - Green  
Price \$18.00



**HG1023 AR15 Free Float Tube**  
6061 Aluminum, Vented And Ribbed  
Price \$55.00



**Mid Length Round Handguards**  
A2 Round Handguards - Fit Triangular Caps  
HG1012 - Black HG1018 - Green  
Price \$18.00



**HG1097 AR15 Mid Length Free Float Tube**  
6061 Aluminum, Vented And Ribbed  
Price \$59.00



**HG1024 AR15 Rifle Length Free Float Tube**  
6061 Aluminum, Vented And Ribbed  
Price \$65.00



**PRI102 Carbon Fiber Free Float Tube - Carbine Length**  
Made of lightweight carbon fiber, steel and aluminum. Reduces heat transfer to the hand. Top rail matches flat top height. For carbine length barrels.  
Price: 322.00



**M4 Handguards**  
HG1015 - Black - Double Heatshields - Price \$38.00  
HG1000 - Green - Single Heatshield - Price \$28.00  
HG1067 - Dark Earth - Single Heatshield - Price \$28.00



**HG1021 AR15 Free Float Tube**  
6061 Aluminum, Non Vented And Ribbed  
Price \$44.00



**Rifle Length Round Handguards**  
A2 Round Handguards - Fit Triangular Caps  
HG1013 - Black HG1016 - Green  
Price \$18.00



**HG1098 AR15 Mid Length Free Float Tube**  
6061 Aluminum, Non Vented And Ribbed  
Price \$49.00



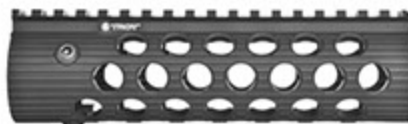
**PRI105 Carbon Fiber Free Float Tube - Mid Length**  
Made of lightweight carbon fiber, steel and aluminum. Reduces heat transfer to the hand. Top rail matches flat top height for carbine/mid length/standard/rifle length barrels.  
Price: \$325.00



**HG1146 Magpul MLOK Handguard Black**  
HG1146 OD HG1146 FDE HG1146 G  
Strength and durability without the weight and expense of an aluminum rail hand guard. Optional mounting Picatinny rail sections.  
Available in Black, OD Green, Dark Earth or Gray.  
Price: \$28.45



**HG1137 Samson 7.2" Evolution Keymod**  
For 3 gun shooters LE/Military or weekend enthusiasts. Keymod accessories can be added at any of 7 positions around the rail and any place along its length.  
Price: \$156.75



**HG1111 Troy 7.2" Alpha Rail**  
Machined from 6061-T6 hardened aircraft aluminum and finished in MIL-SPEC Type III Hard Coat Anodizing. Works with standard AR15/M16 barrel nut.  
Price: \$161.95



**HG1094 YHM Diamond EXT**  
Features diamond shaped heat vents, an extended top rail for gap-free installation, "T" marked rails, and anti-rotation screws. Hard cast aluminum and hard coat anodized.  
Price: \$122.70



**HG1011 YHM Two Piece Four Rail**  
Two piece 4 rail CAR handguards attach like standard plastic handguards. Made from lightweight aluminum and hardcoat anodized.  
Price: \$138.30



**HG1145 Magpul MLOK Slimline Black**  
HG1145 OD HG1145 FDE  
Sleek and MLOK compatible, the Slimline has both strength and durability without the weight and expense of an aluminum rail hand guard.  
Available in Black, OD Green, or Dark Earth.  
Price: \$33.20



**HG1138 Samson 7.6" Evolution Keymod**  
Keymod accessories can be added at any of 7 positions around the rail and any place along the length of the tube.  
Price: \$156.75



**HG1122 HG1122DE Troy Drop In Rail**  
Non free floating direct replacement for all M4/AR15 carbine length plastic hand guards. No gunsmithing is required. Hardened aluminum. Available in black or FDE.  
Price: \$147.95



**HG1129 YHM SLR Smooth Handguard**  
This slim free float tube is both piston and gas compatible. Continuous top Picatinny rail. Made of aluminum and hard coat anodized.  
Price: \$160.40



**KM1003 Knight's M4 RAS II**  
Free float rail system for M4 configured CAR rifles. Attaches to the flat top upper and delta ring without removal of the front sight post. Includes 3 11 rib panels.  
Price: \$361.00



**HG1073P Magpul MOE Handguard Pink**  
Strength and durability without the weight and expense of an aluminum rail hand guard.  
Price: \$23.70



**HG1106 Troy Vtac 7.2" Alpha Rail**  
A one-piece, free floating rail for M4 & M16 systems. Slotted cooling holes for enhanced heat dispersion. Utilizes the standard factory barrel nut.  
Price: \$161.95



**HG1118 HG1118 Troy 7.2" Bravo Rail**  
Machined from 6061-T6 hardened aircraft aluminum finished in MIL-SPEC Type III Hard Coat Anodizing. Uses standard barrel nut. Black or Flat Dark Earth  
Price: \$171.95



**HG1057 YHM YHM SLR-Quad Series Carbine Forearm 7.28"**  
The SLR (Slim, Light, Rail) handguards were designed to be both thinner and be able to accept most aftermarket piston systems, while maintaining a top rail that co-witnesses.  
Price: \$160.40



**KM1028 Knight's M4 RIS**  
M4 rail system ready for heavy barrel configured CAR rifles. Allows you to add many different accessories to your rifle, such as lasers and forward pistol grips. Includes 3 11 rib panels.  
Price: \$350.00

# Carbine & Midlength Foreends

# MidLength And Rifle Length Foreends



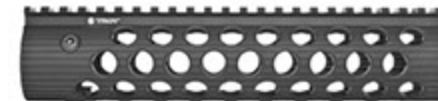
**ARMS155 56-M-CV-C Spartan Rail**  
The A.R.M.S. #56M-CV-C Spartan Rail. Its proprietary design allows for exceptionally strong and precise mounting on M4 platforms using the standard barrel nut. The Delta Ring must be removed prior to installation.  
**Price: \$243.00**



**ARMS156 56-M-CV-EXT Spartan Rail**  
The A.R.M.S. #56M-CV-C Spartan Rail is designed to accept a variety of accessories with its sectionalized top rail. Its design allows for exceptionally strong mounting on M4 rifles using the standard barrel nut. The Delta Ring must be removed before installation.  
**Price: \$288.00**



**HG1093 Ergo Z-Rail Handguard System**  
Replaces AR-15/M16 CAR/M4 handguard with no modifications. Designed to reduce weight and bulk. Side lock mounting for maximum stability. ERGO LowPro Rail covers included.  
**Price: \$160.00**



**HG1113 Troy Alpha 11" Rail**  
Comes with three detachable rails and all hardware. Machined from 6061-T6 aluminum. MIL-SPEC Type III Hard Coat Anodizing. Works with standard AR15/M16 barrel nut.  
**Price: \$181.95**



**HG1108 Troy Vtac Alpha 11" Rail**  
The VTAC Alpha Rail is a one-piece, free floating modular rail for M4 & M16 systems. The rail utilizes the factory barrel nut, and features an uninterrupted top rail. Includes three accessory rail segments.  
**Price: \$181.95**



**HG1082 YHM 2 Piece Mid Length Handguard**  
Two piece 4 rail Mid-Length handguards. Attach like standard plastic handguards. Made from lightweight aluminum and hardcoat anodized.  
**Price: \$155.70**

## MidLength Rails



**HG1150 Magpul MOE SL Midlength Forend**  
For AR15/M4 firearms with mid-length gas system and A2 front sight. M-LOK® accessory slots in a lightweight design. Available in Black, OD or FDE.  
**Price: \$37.95**



**HG1148 Magpul MLOK Midlength Forend**  
Combines the light weight of a standard handguard while remaining affordable. Slots allow mounting of Picatinny rail sections. Polymer construction. Available in Black, OD, FDE.  
**Price: \$33.20**



**HG1139 Samson 9" Evolution Keymod**  
For 3 gun shooters LE/Military or weekend enthusiasts. 7 Keymod mounting positions around the rail and any place along the length of the tube. •Wt: 9.3 oz  
**Price: \$166.25**



**KM1031 Knight's Mid-Length URX**  
Knights URX (5.56 Cal.) with Integral Folding Front Sight (10.75") Upper Receiving Extending Rail Adapter System (Amer Install) Weighs 1 lb 1.2oz  
**Price: \$298.00**



**KM1006 Knight's Mid-Length RAS**  
M4 3 piece, free float rail system ready for mid-length configured CAR rifles. Allows you to add many different accessories to your rifle. Includes 3 11 rib panels.  
**Price: \$335.00**



**HG1101 YHM Diamond Specter Length Forearm**  
Forearm features diamond shaped heat vents, an extended top rail for gap-free installation, "T" marked rails. Aluminum and hard coat anodized. Covers a carbine length gas block.  
**Price: \$129.80**



**HG1140 Samson 10" Evolution Keymod**  
The perfect upgrade for 3 gun shooters LE/Military or weekend enthusiasts. Keymod accessories can be added at any of 7 positions around the rail and any place along the length of the tube. •Wt: 10.5 oz  
**Price: \$170.05**



**HG1141 Samson 11" Evolution Keymod**  
The perfect upgrade for 3 gun shooters LE/Military or weekend enthusiasts. Keymod accessories can be added at any of 7 positions around the rail and any place along the length of the tube. •Wt: 10.5 oz  
**Price: \$170.05**



**HG1133 YHM SLR Mid Length Tube**  
The SLR (Slim, Light, Rail) handguards were designed to be both thinner and be able to accept most after-market piston systems, while maintaining a top rail that co-witnesses.  
**Price: \$170.40**



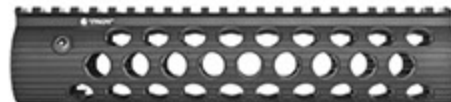
**HG1095 YHM Diamond Mid Length**  
This forearm features diamond shaped heat vents, an extended top rail. "T" marked rails to mark accessory locations, and anti-rotation screws. Aluminum and hard coat anodized.  
**Price: \$129.80**



**HG1058 YHM SLR Mid Length Tube**  
The SLR (Slim, Light, Rail) handguards were designed to be both thinner and be able to accept most after-market piston systems while maintaining a top rail that co-witnesses.  
**Price: \$170.40**



**HG1124DE Troy 12" Drop In Rail FDE**  
**HG1124 Troy 12" Drop In Rail Black**  
Troy Drop In Rifle Length Rails are replace all rifle length plastic handguards. The Troy Patented clamping design ensures a solid mounting platform. No gunsmithing is required.  
**Price: \$167.95**



**HG1112 Troy Alpha 9" Rail**  
Comes with three detachable rails and all mounting hardware. 6061-T6 hardened aircraft aluminum Type III Hard Coat Anodizing. Works with standard AR15/M16 barrel nut.  
**Price: \$171.95**



**HG1107 Troy Vtac Alpha 9" Rail**  
The VTAC Alpha Rail is a one-piece, free floating modular rail. Easy to install and utilizes the standard factory barrel nut. Includes 3 smaller rail segments.  
**Price: \$171.95**



**HG1123 Troy 9" Drop In Rail - Black**  
Direct replacement for all mid-length length plastic handguards. It provides a true optical mounting platform that increases modularity and accuracy. No gunsmithing required.  
**Price: \$157.95**



**HG1159 YHM SLR Rifle Length Quad Forend**  
The SLR (Slim, Light, Rail) handguards were designed to be both thinner and be able to accept most after-market piston systems, while maintaining a top rail that co-witnesses.  
**Price: \$194.20**



**HG1149 Magpul MLOK Rifle Length Forend**  
The MLOK Handguard is as light weight as a standard handguard while still affordable. Slots allow for mounting of Picatinny rail sections. Polymer construction. Available in Black, OD or FDE.  
**Price: \$37.95**



**HG1119DE Troy 9" Bravo Rail - Dark Earth**  
**HG1119 Troy 9" Bravo Rail**  
Troy's Bravo rail is a one piece free floating quad rail that utilizes the existing barrel nut. This easy to install rail and offers 1913 Picatinny rails. Aircraft aluminum and hard coat anodized.  
**Price: \$181.95**



**HG1120 Troy 11" Bravo Rail**  
**HG1120 Troy 11" Bravo Rail in Dark Earth**  
Troy's Bravo rail is a one piece free floating quad rail that utilizes the existing barrel nut. Four full-length true U.S. MIL-SPEC 1913 Picatinny rails.  
**Price: \$193.95**



**HG1114 Troy Alpha 11" Rail & Front Sight**  
Comes with three detachable rails and mounting hardware. 6061-T6 aluminum and finished in MIL-SPEC Anodizing. Uses standard AR15/M16 barrel nut.  
**Price: \$266.95**



**HG1121DE Troy 13" Bravo Rail - Dark Earth**  
**HG1121 Troy 13" Bravo Rail**  
 Troy's new Bravo rail is a one piece free floating quad rail that utilizes the existing barrel nut. This is easy to install and offers unlimited mounting solutions. 1913 Picatinny rails, breakthrough tri-clamp locking system, enhanced accuracy and reduced heat transfer. Aircraft aluminum and hard coat anodized.  
**Price: \$207.95**



**HG1115 Troy 13" Alpha Rail**  
 With unlimited mounting options and greater heat dispersion, the Alpha Rail® once again sets a new industry standard in modular free float rail design. Comes with three detachable rails and all mounting hardware. Machined from 6061-T6 hardened aircraft aluminum and finished in MIL-SPEC.  
**Price: \$197.95**



**HG1109 Troy 13" Vtac Alpha Rail**  
 The VTAC Alpha Rail is Troy Industries latest version of the extremely popular VTAC Extreme rail that was designed specifically for Kyle Lamb of Viking Tactics. Kyle is known worldwide and one of the best tactical shooters and trainers in the industry. The VTAC Alpha Rail is a one-piece, free floating modular rail for M4 & M16 systems.  
**Price: \$197.95**



**HG1116 Troy 13" Alpha Rail With Front Sight**  
 With a built-in legendary Troy® spring loaded front BattleSight, unlimited mounting options and greater heat dispersion, the Alpha Rail® once again sets a new industry standard in modular free float rail design. Comes with three detachable rails and mounting hardware. Works with standard AR15/M16 barrel nut.  
**Price: \$281.95**



**HG1117 Troy 15" Alpha Rail**  
 Comes with three detachable rails and all mounting hardware. Troy® Alpha Rail® is machined from 6061-T6 hardened aircraft aluminum and finished in MIL-SPEC Type III Hard Coat Anodizing. Works with standard AR15/M16 barrel nut.  
**Price: \$207.95**



**HG1110 Troy 15" Vtac Alpha Rail**  
 The VTAC Alpha Rail is a one-piece, free floating modular rail for M4 & M16 systems. Based off the Troy Alpha Rail, it features slotted cooling holes for enhanced heat dispersion. The rail is easy to install and utilizes the standard factory barrel nut  
**Price: \$207.95**



**HG1142 Samson 12.37" Evolution Keymod**  
 For 3 gun shooters LE/Military or weekend enthusiasts. Keymod accessories can be added at any of 7 positions.  
**Price: \$194.75**



**HG1028 YHM Lightweight Free Float**  
 Made of aircraft quality aluminum and hardcoat anodized to Mil. Specs. Features mounting points for YHM swiveling sling studs. Accepts YHM forearm end caps Mil. Spec. Picatinny rails. Includes one jam nut, one barrel nut and one forearm tube.  
**Price: \$148.00**



**HG1010 YHM STA Two Piece Four Rail**  
 Two piece 4 rail handguards. Attach like standard plastic handguards. Features: Made from lightweight aluminum and hardcoat anodized Fits 20" and 24" barrels.  
**Price: \$181.80**



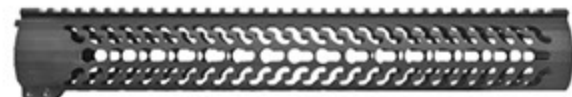
**KM1004 Knight's M5 RAS20**  
 3 Piece AR-15 rail adapter system for 20" barrels free floats your barrel It has 4 parallel, mil-spec 1913 rails, one on each side, above and below the barrel allowing you to mount a variety of accessories on your rifle, such as flashlights and bipods. Includes 3 11 rib panels  
**Price: \$375.00**



**HG1096 YHM Rifle Length Diamond Tube**  
 Made by YHM these are the latest free floating forearms. These unique forearms feature diamond shaped heat vents, an extended top rail for gap-free installation, "T" marked rails, and anti-rotation screws for secure installation. Made of aluminum and hard coat anodized.  
**Price: \$160.70**



**ARMS134 ARMS 59CV Rifle Length Rail**  
 Handguard universal mounting system that free floats the barrel and is used to mount objects to the rails on all four sides. Installs directly to the barrel nut. Free floating.  
**Price: \$440.00**



**HG1143 Samson 15" Evolution Keymod**  
 The perfect upgrade for 3 gun shooters LE/Military or weekend enthusiasts. Keymod accessories can be added at any of 7 positions around the rail and any place along the length of the tube. •Wt: 9.3 oz  
**Price: \$208.05**



Through our website we offer custom rifle kits, custom barrel assemblies and custom lower receivers, this provides you the ability to choose from our inventory of different gas blocks, handguards, buttstocks and colors so that you can build your dream rifle. All our rifle kits and barrel assemblies are head spaced and test fired and built to the same exacting standards we use in all our firearms. Once you've found the kit of your choice on our website, you can easily add custom parts and accessories by clicking the "Customize this rifle kit" tab near the top of the page.

Have questions? Please don't hesitate to call!



# OPTICS



Del-ton offers durable, professional quality optics from manufacturers such as EoTech and Trijicon, as well as the mounts and other accessories that ensure you will get the most out of your optic and AR-15.

We also offer EoTech sight and magnifier combination packages at a lower cost than if they are purchased separately. Magnifiers with flip to side mounts give you a tremendous amount of flexibility - in a hurry if needed.



## TRIJICON



**OP1046 Trijicon ACOG 4x32, ARMY Rifle Combat Optic for the M150 w/ Mount**  
The Trijicon ACOG's are internally-adjustable, compact telescopic sights with tritium illuminated reticle patterns for use in low light or at night. Models feature bright daytime reticles using fiber optics which collect ambient light - without failure prone batteries.  
**Price: \$1,467.95**



**OP1045 ACOG 4x32 Scope with Green Chevron BAC Flattop Reticle - Include Flat Top Adapter.**  
The chevron reticle is designed to be zeroed using the tip at 100 meters. Features dual illumination (Fiber optics provides daylight illumination and tritium illuminates reticle at night). The ranging reticle is calibrated for 5.56 (.223 cal) flattop rifles.  
**Price: \$1,239.30**



**OP1050 ACOG 3.5x35 Scope with Green Horseshoe BAC Reticle**  
The ranging reticle is calibrated for 5.56 (.223 cal) flat-top rifles to 1000 meters. Includes Flat Top Adapter. Features dual illumination (Fiber optics provides daylight illumination and tritium illuminates reticle at night).  
**Price: \$1301.35**



**OP1048 Trijicon RMR Dual Illuminated Sight - 7.0 MOA Amber Dot**  
Developed to improve precision and accuracy with any style or caliber of weapon, the Trijicon RMR (Ruggedized Miniature Reflex) is designed to be as durable as the legendary ACOG. The RMD4 is a battery free sight featuring Trijicon fiber optics and tritium.  
**Price: \$611.15**



**OP1047 Trijicon 42mm Reflex with Flat Top Mount**  
Trijicon's advanced Reflex sights offer shooters the perfect combination of speed and precision under virtually any lighting conditions.  
- A bright aiming point in low light, no or bright light  
- Quick target acquisition and pinpoint accuracy  
- Big sight picture and realistic color  
- Designed for both-eyes-open shooting  
**Price: \$569.50**



**OP1049 Trijicon Accupoint 1-4x24 30mm Riflescope with BAC, Green Triangle**  
Ideal for hunting or anytime you expect to shoot at shorter distances, the AccuPoint with its illuminated aiming point will help you get the job done. The scope is illuminated through the use of fiber optics and tritium, without the need for batteries.  
**Price: \$1,062.50**

**Mounts for these optics are available on Page 57.**

# Optics

## EoTech



### OP1017 EoTech 553 DE

Uses 123 batteries. Great for 2 eye open shooting. Night vision compatible. Waterproof (submersible), fogproof, shockproof. Withstands extreme temperature variations. 30 brightness levels. Equipped with a protective shroud.  
**Price: \$699.00**



### OP1007 EoTech 512

Uses 2 AA batteries. Great for 2 eye open shooting. Features: waterproof, fogproof and shockproof, 20 brightness levels. Equipped with a protective shroud.  
**Price: \$429.00**



### OP1029 EoTech XPS2-2

EOTech's shortest model yet and runs on a single 123 battery, with a longer battery life. Average battery life at brightness level 12 is roughly 500-600 hours. Requires at most 2 3/4 inch of rail space. Adjustment Range: +/- 40 MOA travel. Matte black with hard coat finish. Night Vision Compatibility: None  
**OP1042 XPS2-1 Single MOA Dot**  
**Price: \$499.00**



### OP1030 EoTech XPS3-0

Single transverse 123 battery to reduce sight length. Battery cap and latch are eliminated and replaced with a simple O-ring, tethered cap. Average battery life at brightness level 12 is roughly 500-600 hours. Side buttons, NV compatible with a single quick detach throw lever. Waterproof to 33 ft (MIL-STD-1913) rail. Night Vision Compatibility: 10 brightness settings.

**OP1030 XPS3-0 1 MOA Dot with 65 MOA Circle with Quadrant Ticks**

**OP1032 XPS3-0 2 MOA Dot with 65 MOA Circle with Quadrant Ticks**

**Price: \$589.00**



### OP1037 EoTech EXP52-2

EOTech's shortest model yet and runs on a single 123 battery, with a longer battery life. Average battery life at brightness level 12 is roughly 500-600 hours. Requires at most 2 3/4 inch of rail space. Adjustment Range: +/- 40 MOA travel. Matte black with hard coat finish. Night Vision Compatibility: None

**OP1037 - EXP5 2-2 2 MOA Dots with 65 MOA Circle with quadrant ticks**

**Price: \$539.00**



### OP1034 EoTech EXP5 3-0

Single transverse 123 battery to reduce sight length. Battery cap and latch are eliminated and replaced with a simple O-ring, tethered cap. Average battery life at brightness level 12 is roughly 500-600 hours. Side buttons, NV compatible with a single quick detach throw lever. Weight: 11.2 oz Waterproof: Submersible to 33 ft depth Mount: 1" Weaver or (MIL-STD-1913) rail. Night Vision Compatibility: 10 brightness setting (generation I-III+)

**OP1034 EXP5 3-0 2 MOA Dot with 65 MOA Circle with Quadrant Ticks Available in Flat Dark Earth**

**OP1035 EXP5 3-2 1 MOA Dot with 65 MOA Circle with Quadrant Ticks**

**Price: \$629.00**



### OP1054 EoTech G33 3x Magifier With Flip Mount

This is the 3rd Generation of L3 EOTech magnifiers. It offers a quick release throw lever on the bottom of the mount which allows the quick removal of both the optic and the mount. Available in black or dark earth.

**Price: \$549.00**

# BUTTSTOCKS



Del-Ton, Inc. offers a wide variety of buttstocks and buttstock components from top brands in the AR Industry. Stocks by Magpul, ACE, Troy, and others offer wide selections for any operator to customize their rifle for practical and tactical use. Whether it's a lightweight, a milspec or commercial, collapsible or a fixed stock you need, Del-Ton is your source. Stocks available in stock only or complete options.



**BS1068 Magpul MOE Carbine Stocks**  
The MOE is designed to be a drop in replacement for carbines using mil-spec receiver extension tubes. The streamlined A-frame profile avoids snagging and shields the release latch to prevent accidental activation. Available in black, OD, FDE, gray and pink.  
**Available in Mil-Spec and Commercial Versions**  
**Price: \$37.95 (Stock Only)**



**NEW!**  
**BS1104 Magpul MOE SL Carbine Stocks**  
The MOE SL Stock – Commercial-Spec Model (MOE Slim Line) is a drop-in replacement buttstock for AR15/M4 carbines using commercial-spec sized receiver extension tubes. The sleek profile, dual-side release latches, rolled toe, and angled rubber butt-pad are optimized for use with body armor or modular gear and provides for efficient shoulder transitions.  
Available in black, OD and FDE  
**Available in Mil-Spec and Commercial Versions**  
**Price: \$56.95 (Stock Only)**



**BS1097 Magpul ACS-L Carbine Stocks**  
The Magpul ACS-L (Adaptable Carbine Stock - Light) is a drop-in replacement buttstock for AR15/M16 carbines using mil-spec sized receiver extension tubes. The ACS-L features a center storage compartment. Black, OD green and dark earth.  
**Available in Mil-Spec and Commercial Versions**  
**Price: \$75.95 (Stock Only)**



**BS1060 Magpul AR15/M16 PRS Stocks**  
Designed to be a field precision stock. Adjustable for both height and length of pull. Uses stock A1/A2 rifle receiver extension (buffer tube) without the A2 spacer. Body features removable end cap and integrated Picatinny rail mount. Weighs 28oz, LOP Adjust=1", Height Adjust=.6"  
**Price: \$242.25 (Stock Only)**



**BS1104 Magpul SL (Slim-Line) Carbine Stocks**  
Mil-Spec Model (MOE Slim Line) is a drop-in replacement for AR15/M4 carbines using mil-spec sized receiver extension tubes. The sleek profile, dual-side release latches, The angled rubber butt-pad is optimized for body armor.  
**Price: \$56.95 (Stock Only)**



**BS1066 Magpul ACS Carbine Stock**  
The ACS is designed to be a drop in replacement carbine stock body. A streamlined, profile shields the release latch to prevent accidental activation. Dual, rear accessible, water-resistant battery storage tubes and an integral storage compartment in the butt provides multiple storage options.  
**Available in Mil-Spec and Commercial versions.**  
**Price: \$85.45 (Stock Only)**



**BS1061 Magpul CTR Carbine Stocks**  
The CTR is designed to be a drop in replacement carbine stock. Adjustable for length of pull is 3.5" A unique locking mech locks the stock to the buffer tube for zero movement.  
**Available in Mil-Spec and Commercial versions**  
**Price: \$56.95 (Stock Only)**



**BS1095 Magpul STR Carbine Stocks**  
A storage-capable version of the CTR, the STR has improved cheek weld and two water resistant battery tubes on a compact, reinforced polymer A-frame design. A friction locking system prevents accidental operation and minimize excessive stock movement. Two integral sling loops, a reversible push-button QD sling mount, and a replaceable 0.30" rubber butt-pad. Available in black, OD green and dark earth.  
**Available in Mil-Spec and Commercial Versions**  
**Price: \$75.95 (Stock Only)**



**BS1101 Magpul MOE Fixed Carbine Stocks**  
The MOE Fixed Carbine Stock – Mil-Spec Model provides a fixed, stock option for carbine-length buffer tubes. The MOE Fixed Carbine Stock has a slim profile, improved cheek weld and multiple sling attachments.  
**Price: \$28.45 (Stock Only)**



**BS1065, BS1065OD, BS1065DE Magpul UBR Carbine Stocks**  
The Magpul UBR (Utility/Battle Rifle) is a fully-featured adjustable buttstock for the AR15/M16. The UBR provides extra counterbalance weight to improve handling on full-length rifles and weapons with muzzle-heavy accessories.  
Available in black, OD green and dark earth.  
**Price: \$251.75 (Stock Only)**



**Troy BS1092 Troy Battle Ax CQB Stock**  
This stock is designed to be a drop in replacement for carbines using mil-spec receiver extension tubes. Available in Black or Dark Earth.  
**Price: \$125.00**



**BS1094 M4 Carbine Stock Black \$82.00**  
5 position, M4 buttstock assembly, includes H-Buffer, CAR Spring mil-spec CAR Tube.  
**BS1026 M4 Carbine Stock Green \$76.00**  
**BS1058 M4 Carbine Stock FDE \$76.00**  
6 position, M4 buttstock assembly. Includes H-Buffer, CAR Spring Commercial Tube.

## Carbine & Rifle Stocks



### BS1099 Magpul MOE Rifle Stocks

The MOE is designed to be a drop in replacement for carbines using a stock A1/A2 rifle receiver extension (buffer tube) without the A2 spacer. Designed for light, fast action the streamlined A-frame profile avoids snagging and shields the release latch to prevent accidental activation.

Price: \$66.45 (Stock Only)



### BS1059 A2 Rifle Stock - Black BS1034 - Green

Standard A2 buttstock assembly, trapdoor storage in butt. Includes buffer, spring & tube.

Price: \$64.95



### BS1086 ACE AR-15 "Hammer" Stock

Designed for use in Close Quarters Battle with body armor. The Hammer uses the CAR buffer and spring. Made by ACE Ltd.

Price: \$289.95



### BS1021 Ace Long SOCOM

Black, M4 Socom Long Buttstock 6x stronger than the regular A2 buttstock. Collapsed length is the same as the regular M4 socom extended Extends 2" Includes, Buffer, Spring

Price: \$219.95



### BS1019 Ace ARFX Short SOCOM

Black, ARFX skeleton buttstock 3.6 oz lighter than A2 buttstock. Includes sling swivel, buffer tube spring.

Price: \$206.95



### BS1029 Ace ARFX Stock

Black, ARFX skeleton buttstock, 3.6 oz lighter than A2 buttstock Includes sling swivel, buffer, tube, spring

Price: \$117.00



### AS1067-K Pink Furniture Kit

Includes M4 stock, single heat shield forend and A2 grip.

Price: \$90.00

## ACCESSORIES



Del-ton carries only the finest accessories available. Magpul MLOK & MOE as well as other accessories from Troy, Knight's and Ergo are built to withstand the rigors of hard daily use. Whether you're looking for mounts, attachment points, slings or rail accessories, Del-ton is your source.

# Parts & Accessories



**LP1016 Std. Rifle Buffer Tube**  
Standard Buttstock Buffer Tube  
Price: \$16.00



**LP1012 Std A2 Buffer Spring**  
Price: \$3.95



**LP1013 Carbine Buffer Spring**  
Price: \$3.95



**BS1049 Commercial Carbine Buffer Tube**  
Commercial Diameter - 6 Position  
Price: \$19.95



**LP1077 CAR H Buffer** \$15.05  
**LP1079 CAR H-2 Buffer** \$23.00  
**LP1080 CAR H-3 Buffer** \$30.50



**BS1012 Carbine Buffer Tube - Mil-Spec**  
Carbine Buffer Tube - 5 Position  
Price: \$35.00



**Magpul CTR Cheek Risers**  
**BS1081 .25"**  
**BS1082 .50"**  
**BS1083 .75"**  
Clip on cheek riser for the MOE and CTR stocks. This riser is for use on NON AR15/M4 applications.  
Price: \$18.95



**BS1084 Magpul UBR Strike Plate**  
The UBR Strike Plate is a replacement for the UBR's lower sling loop bracket.  
Price: \$23.70



**BS1063 Magpul Mil Spec CTR Buttpad**  
May also be installed on Commercial-spec MOE/CTR stocks, but may prohibit use of fully collapsed position.  
Price: \$18.95



**BS1080 Magpul Extended CTR Buttpad**  
.55" Replacement For Mil Spec CTR UBR & ACS Stocks  
Price: \$18.95



**KM1026 Knight's Rail Sling Swivel And Adapter**  
Includes heavy duty push button sling swivel.  
Price: \$46.00



**AS1026 YHM Sling Swivel**  
1.25" Attaches to sling swivel stud.  
Price: \$7.00



**KM1026 Knight's Rail Sling Swivel And Adapter**  
Includes heavy duty push button sling swivel.  
Price: \$46.00



**AS1065 Magpul RSA Rail Sling Attachment**  
Forward sling attachment point.  
Price: \$28.45



**AS1092 Magpul MSA MOE Sling Attachment**  
Forward sling attachment point.  
Price: \$23.70



**LP1077 CAR H Buffer** \$15.05  
**LP1079 CAR H-2 Buffer** \$23.00  
**LP1080 CAR H-3 Buffer** \$30.50



**Magpul CTR Cheek Risers**  
**BS1081 .25"**  
**BS1082 .50"**  
**BS1083 .75"**  
Clip on cheek riser for the MOE and CTR stocks. This riser is for use on NON AR15/M4 applications.  
Price: \$18.95



**BS1077 Magpul Enhanced Buttpad**  
.70" Replacement For Mil Spec CTR, MOE, UBR & ACS Stocks  
Price: \$18.95



**BS1085 Magpul ACS QD Mount**  
The ACS QD Swivel Mount can be added to the right or left side of the stock for use with push-button sling swivels. Swivels not included.  
Price: \$14.20



**AS1047 Rail Mount Sling Loop**  
Mounts to any 1913 rail.  
Price: \$21.50



**AS1088 Troy Combo Mount Sling Loop**  
Mounts to any 1913 rail.  
Price: \$26.50



**AS1087 Troy 1913 Mount Sling Attachment**  
Mounts to any 1913 rail.  
Price: \$24.50



**AS1086 Troy TRX Lo Pro Sling Swivel Mount**  
Attaches to any QD mount.  
Price: \$37.95



**AS1085 Troy SS QD Sling Swivel Mount**  
Attaches to any QD mount.  
Price: \$14.50



**AS1026 YHM Sling Swivel**  
1.25" Attaches to sling swivel stud.  
Price: \$7.00



**MT1046 Magpul MOE Scout Mount - Left**  
**MT1047 Magpul MOE Scout Mount - Right**  
Designed to attach directly to MOE Hand Guards, the Scout Mount allows the use of many 1913 Picatinny mounted lights.  
Price: \$9.45



**BS1079 Magpul Extended Buttpad**  
For PRS 2  
.80" Replacement For PRS II Stock  
Price: \$14.20



**AS1065 Magpul RSA Rail Sling Attachment**  
Provides a forward sling attachment point.  
Price: \$28.45



**AS1092 Magpul MSA MOE Sling Attachment**  
Provides a forward sling attachment point.  
Price: \$23.70



**AS1084 Troy 360 QD Sling Swivel And Mount**  
Attaches to any 1913 Rail.  
Price: \$32.50



**AS1080DE Troy Pro Grade Sling Mount**  
Secures receiver extension nut prevents rotation of buffer tube. Includes push down button Q.D. swivel.  
Price: \$47.95



**AS1080 Troy Pro Grade Sling Mount**  
Secures receiver extension nut prevents rotation of buffer tube. Includes push down button Q.D. swivel.  
Price: \$47.95



**AS1081 Troy M16 A1 Sling Mount**  
The Troy M16A1 Sling Mount easily installs on all M16A3 and A4 rifles. Includes Q.D. swivel, sling plate, spacer and screw.  
Price: \$43.95



**AS1081DE Troy M16 A1 Sling Mount**  
The Troy M16A1 Sling Mount easily installs on all M16A3 and A4 rifles. Includes Q.D. swivel, sling plate, spacer and screw.  
Price: \$43.95



**AS1026 YHM Sling Swivel**  
1.25" Attaches to sling swivel stud.  
Price: \$7.00



**MT1046 Magpul MOE Scout Mount - Left**  
**MT1047 Magpul MOE Scout Mount - Right**  
Designed to attach directly to MOE Hand Guards, the Scout Mount allows the use of many 1913 Picatinny mounted lights.  
Price: \$9.45



**BS1079 Magpul Extended Buttpad**  
For PRS 2  
.80" Replacement For PRS II Stock  
Price: \$14.20



**AS1065 Magpul RSA Rail Sling Attachment**  
Provides a forward sling attachment point.  
Price: \$28.45



**AS1092 Magpul MSA MOE Sling Attachment**  
Provides a forward sling attachment point.  
Price: \$23.70



**AS1083DE Troy M4 OEM Sling Mount**  
Hardened aircraft aluminum with stainless steel push buttons.  
Price: \$43.95



**AS1083 Troy M4 OEM Sling Mount**  
Hardened aircraft aluminum with stainless steel push buttons.  
Price: \$43.95



**AS1082DE Troy M16 A4 Sling Mount**  
Easily installs on M16A3 and A4 rifles. Includes Q.D. swivel, sling plate, spacer and screw.  
Price: \$43.95



**AS1082 Troy M16 A4 Sling Mount**  
Easily installs on M16A3 and A4 rifles. Includes Q.D. swivel, sling plate, spacer and screw.  
Price: \$43.95



**KM1025 Knight's Sight Tower Sling Mount**  
Secures to front sight tower with push button sling swivel only.  
Price: \$46.00



**KM1030 Knight's Ambi CAR Receiver Plate Sling Mount**  
Comes with Push Button Swivel  
Price: \$93.60



**KM1019 Knight's M4 Sling Adapter**  
Mounts with no modification to buttstock. Includes push button swivel  
Price: \$46.00



**MT1022 Ergo Slide Mount Sling Loop**  
Price: \$19.50



**AS1021 YHM Sling Stud**  
Attaches to the YHM handguard. Allows a 1.25" Q.D. Sling Swivel.  
Price: \$4.50



**AS1048 Rail Mount QD Sling Loop**  
Mounts to any 1913 rail.  
Price: \$21.50



**AS1027 Falcon Express Bipod Mount**  
Quick release bipod mount.  
Price: \$58.95



**KM1018 Knight's Bipod Mount**  
For mounting a Harris Bipod on MWS. Doubles as a sling mount  
Price: \$44.95



**MT1023 Ergo Universal Mount**  
Universal detachable mount for slings and bipod mounting.  
Price: \$19.95



**AS1064 Magpul ASAP Sling Plate**  
The ASAP enables ambi weapon manipulation. NOT compatible with A1/A2 or Magpul PRS or UBR.  
Price: \$28.45



**AS1055 Magpul ASAP QD Sling Plate**  
Allows a wide range of motion, enabling true ambidextrous weapon manipulation.  
Price: \$28.45



**MT1068 Magpul Light Mount V-Block and Rings**  
The versatile Light Mount V-Block and Rings is a nearly-universal mounting solution for attaching a handheld light to compatible Magpul light mounts. Constructed of reinforced polymer and milspec-anodized aluminum, the Light Mount V-Block and Rings allow the user to install lights with a body diameter from .75" to 1.04" onto the MOE Scout Mount and M-LOK Cantilever Rail/Light Mount. **Price: \$17.05**



**MT1070 The Magpul M-LOK to MOE Adapter Kit**  
Designed specifically to adapt many M-LOK compatible accessories to legacy MOE handguards and forends. **Price: \$9.45**



**MT1067 The Magpul M-LOK Bipod Mount**  
Allows for the attachment of Harris style stud mounted bipods to M-LOK compatible handguards and forends. **Price: \$21.80**



**Magpul MOE Rail Kits**  
Designed for use with MOE Handguards. The MOE Rail Sections allow the attachment of 1913 Picatinny spec rail-mounted accessories such as lights, vertical grips, etc.



**MT1038 Magpul MOE Illumination Kit**  
The MOE Illumination Kit includes everything needed to mount a 1913 Picatinny rail compatible weapon light to a MOE Handguard. The kit includes a short rail section cantilever rail mount, two Surefire optimized pressure switch pad mounts (both old and new styles), and all mounting hardware. **Price: \$18.95**



**AS1093 Magpul MOE Cantilever Rail Section**  
The Magpul MOE Cantilever Picatinny Rail is designed to mount directly to MOE handguards and forends. Picatinny rail section will accept most standard flashlight mounts available. **Price: \$7.55**



**Magpul MLOK Cantilever Rail Section**  
The Magpul MLOK Cantilever Picatinny Rail is designed to mount directly to MLOK handguards and forends. The picatinny rail section will accept most standard flashlight mounts available. **MT1062 \$33.20 Aluminum**  
**MT1069 \$17.05 Polymer**



**MT1066 The M-LOK Offset Light Mount, Polymer**  
Provides the user with an ambidextrous platform to mount weapons lights or optics at both the 11 and 1 o'clock positions on M-LOK compatible handguards and forends. **Price: \$17.05**



**MT1065 The M-LOK Offset Light Mount, Aluminum**  
Provides the user with an ambidextrous platform to mount weapons lights or optics at both the 11 and 1 o'clock positions on M-LOK compatible handguards and forends. **Price: \$33.20**



**MT1051 MLOK Aluminum Rail Section - 9 Slots** Black - **Price: \$22.75**



**MT1052 MLOK Aluminum Rail Section - 7 Slots** Black - **Price: \$20.85**



**MT1053 MLOK Aluminum Rail Section - 5 Slots** Black - **Price: \$18.95**



**MT1054 MLOK, Aluminum Rail Section - 3 slots** Black - **Price: \$17.05**



**MT1055 MLOK Polymer rail section 11 slots** Black - **Price: \$15.15**



**MT1056 MLOK Polymer rail section 9 slots** Black - **Price: \$14.20**



**MT1057 MLOK Polymer rail section 7 slots** Black - **Price: \$13.25**



**MT1058 MLOK Polymer rail section 5 slots** Black - **Price: \$9.45**



**MT1059 MLOK Polymer rail section 3 slots** Black - **Price: \$9.45**



**MT1063 Magpul MLOK Tape Switch Mounting Plate**  
MLOK plate to mount Surefire pressure switches. **Price: \$14.20**



**MT1061 The Magpul AFG-2 M-LOK Adapter Rail**  
A polymer M-LOK accessory rail that is optimized for the attachment of the Magpul AFG-2 to all M-LOK compatible handguards and forends. **Price: \$9.45**



**MT1064 Magpul M-LOK Hand Stop Kit** A light weight, low-profile M-LOK slot index point for improved weapon control, or as a forward stop to prevent the shooter's hand from reaching the hot front sight assembly or muzzle. The kit includes an M-LOK hand-stop, one M-LOK index panel, and one M-LOK rail cover type 2 for the individual use to configure their kit as they desire. Also included in this kit is an M-LOK handstop MOE adapter for use with Magpul polymer M-LOK handguards or forends as well as other wider profile rails. Available in black, FDE or OD **Price: \$23.70**



**AS1049 Magpul M-LOK Paraclip Sling Mount**  
Steel clip-in sling mount for M-LOK compatible systems. It is constructed of high-grade, precision cast steel and has an extremely durable Melonite finish. With a low-profile and snag-free design it fits a wide range of clips, including the Magpul Paraclip. **Price: \$18.95**



**AS1016 Magpul M-LOK QD Sling Mount**  
Provides a forward attachment point for the Magpul MS4 Sling and other push-button QD slings. Machined from Mil-Spec anodized aluminum. **Price: \$18.95**



**NEW!**  
**AS1024 Magpul MLOK T-Nut Replacement Kit**  
The M-LOK T-Nut Replacement Kit is a replacement hardware pack designed for use with all M-LOK accessories. **Price: \$5.65**



**NEW!**  
**HG1147 Magpul MLOK Rail Covers**  
M-LOK Type 1 Rail Covers are low-profile and lightweight covers that install directly onto M-LOK compatible systems. Made of an extremely heat resistant flexible material, these covers offer an enhanced gripping surface. Available in black, OD and FDE **Price: \$15.15**



**AS1050 The Magpul Quick Disconnect Swivel (QDM)**  
The Magpul QDM is a heavy-duty upgrade to standard push-button quick detach sling swivels. The QDM offers one-handed manipulation, and a Melonite finish. **Price: \$26.55**



**MT1040 Troy 2" Quick Attach Rail**  
2" rail attachment for all Troy/Vtac Battlerail forends. Mil-Spec 1913 rails **Price: \$14.50**



**MT1041 Troy 3.2" Quick Attach Rail**  
3.2" rail attachment for all Troy/Vtac Battlerail forends. Mil-Spec 1913 rails **Price: \$19.50**



**MT1042 Troy 4.2" Quick Attach Rail**  
4" rail attachment for all Troy/Vtac Battlerail forends. Mil-Spec 1913 rails **Price: \$28.50**



**MT1043 Troy 5.4" Quick Attach Rail**  
5.4" rail attachment for all Troy/Vtac Battlerail forends. Mil-Spec 1913 rails **Price: \$34.50**



**MT1044 Troy 2" Vtac Quick Attach Rail**  
2" rail attachment for all Troy/Vtac Battlerail forends. Mil-Spec 1913 rails **Price: \$14.50**

# Optics Mounts

# Tools



**KM1029 Knight's 30mm COMP Optics Mount**  
Perfect for mounting red dot scopes and other 300mm optics.  
**Price: \$152.00**



**AIM100 Aimpoint QRP Mount**  
Improves sighting and offers return to zero when the sight is reattached.  
**Price: \$99.00**



**ARMS100 ARMS #22 QD Throw Lever Rings - Med**  
All steel 30mm rings secured with ARMS dovetail system to an extruded aluminum platform. Height: 1.150" (Measured from the center of the optic to base)  
**Price: \$118.00**



**ARMS107 #22M68 QD Aimpoint Mount**  
30mm quick release ring for use with the Aimpoint Comp. M2 and ML2. Allows for optimum surface contact for secure fit.  
**Price: 109.00**



**NEW!**  
**TL1020 Armorer's Tool**  
Can be used to install and disassemble free float tubes, barrel nut, barrel extension tube and CAR stock.  
**Price: \$32.50**



**TL1018 Magpul Armorer's Wrench - AR15/M4**  
American-made, solid steel construction with grip-enhancing phosphate finish, engages both stock and pin-style barrel nuts. Fits standard sized flash hidrs. Installs and removes rifle receiver extensions and carbine castle nuts, with extended teeth for use with ASAP plates. Two hammer faces. Works with 1/2" torque wrench.  
**Price: \$75.95**



**TL1022 YHM Forearm Tool**  
For removal of forends and barrel nuts.  
**Price: \$28.95**



**ARMS123 ARMS #37 Ring Inserts**  
Made of all steel, these ring inserts convert the standard 30mm rings to 1". Sold as a set.  
**Price: \$34.00**



**ARMS139 ARMS #19LD ACOG Mount**  
Raises the ACOG by only 3/16" off of the top of your rail. Only 3 3/4" long, which is the length of the bottom of the ACOG to use as little space as possible.  
**Price: \$160.00**



**ARMS109 Half Spacer For ARMS 22M68**  
ARMS Half Spacer for the #22M68 scope ring mount.  
**Price \$8.75**



**ARMS108 Full Spacer For ARMS 22M68**  
ARMS Full Spacer for the #22M68 scope ring mount.  
**Price \$8.75**



**TL1024 Enhanced Stock Wrench**  
Machined from heat treated steel, our multi-function tool is a necessity for any AR enthusiast. This tool includes a Mil-Spec castle nut wrench, a standard length receiver extension removal wrench, and a A1/A2 Flash Suppressor wrench.  
**Price: \$8.95**



**TL1015 5.56 GO Gauge**  
GO Headspace Gauge provides safety and accuracy.  
**Price: \$32.15 Each**  
**TL1016 5.56 NO GO Gauge**  
NO GO Headspace Gauge provides safety and accuracy.  
**Price: \$32.15 Each**  
**TL1014 5.56 Field Gauge**  
Field Headspace Gauge provides safety and accuracy.  
**Price: \$32.15 Each**



**ARMS115 ARMS #32 Throw Lever Adapter For Harris Type Bipod**  
Quick release throw lever adapter for the Harris Bipod.  
**Price: \$87.00**



**MT1028 Ergo Express Quick Release Picatinny Rail**  
1.6" Lever mounted picatinny rail base. Quickly install and remove accessories with the use of a single lever.  
**Price: \$58.95**



**MT1021 YHM Angled Mount - 5 Slot**  
Used for mounting scopes, flashlights and lasers. Made of aluminum. Mounts at a 45 degree angle.  
**Price: \$27.95**



**MT1020 YHM Angled Mount - 3 Slot**  
Used for mounting scopes, flashlights and lasers. Made of aluminum. Mounts at a 45 degree angle.  
**Price: \$24.95**



**NEW!**  
**TL1000 Front Sight Tool**  
Double ended, 4 prong A2 sight tool. Made of steel.  
**Price: \$10.00**



**TL1006 Front Sight Tool**  
Double ended, 4 prong A2 sight tool. Made of steel.  
**Price: \$5.95**



**TL1023 Chamber Safety Tool - 3 pack**  
Shows that the weapon is unloaded. The edge on the corner of the head allows you to adjust the windage and elevation of your scope. The punch is also designed to push out takedown pins on your AR-15/M16.  
**Price: \$3.99**



**KM1007 Knight's Flashlight Mount**  
Allows versatile mounting of a flash light on an MWS system.  
**Price: \$60.30**



**AS1002 Falcon Angled Rail Adapter**  
Offers forward cant to increase vertical scope adjustment.  
**Price: \$6.50**



**TL1019 Magpul BEV Block**  
A compact vise block tool for AR15/M4 assembly operations of barrel nuts, flash hidrs, etc. Works with billet and forged upper receivers. Engages barrel extension with solid steel lugs.  
**Price: \$47.45**



**NEW!**  
**TL1010 Upper Receiver Block**  
An all-in-one, compact vise block tool for AR15/M4. Provides support for upper receivers.  
**Price: \$38.00**



**NEW!**  
**TL1011 Lower Receiver Block**  
An all-in-one, compact vise block tool for AR15/M4. Provides support for lower receivers.  
**Price: \$18.00**

# Bipods & Rail Covers

# Magazines

We cannot ship high capacity magazines to CA, HI, NY, NJ, MD, & MA, CT and CO. Check your local and state laws before purchase. See our website for more information.



**AS1014 Harris Bipod With Swivel**  
Swivel bipod. Adjusts from 9-13 inches Has 7 leg height settings.  
Price: \$109.96



**AS1013 Harris Bipod Non Swivel**  
Non swivel bipod. Adjusts from 9-13 inches Has 7 leg height settings.  
Price: \$80.83



**AS1012 Harris Bipod With Swivel**  
Swivel bipod allows for lateral adjustments for uneven terrain. Bipod adjusts from 6-9 inches.  
Price: \$109.96



**AS1011 Harris Bipod**  
Non swivel bipod. Great for shooting off the bench. Bipod has leg notches. Adjusts from 6-9 inches.  
Price: \$80.83



**NEW! MP1053 Magpul 60 Round Drum Magazine**  
The PMAG D-60 is a durable lightweight, highly reliable 60 round 5.56x45 NATO/.223 polymer drum magazine for AR15/M4 compatible weapons.  
Price: \$123.45



**MP1000 30 Round Magazine**  
30 round aluminum magazine for the AR-15. Black anodized finish. Made by C Products.  
Price: \$12.50



**MP1012 20 Round Magazine**  
Curved 20 Round aluminum magazine for the AR-15.  
Price: \$22.95



**MP1040 Troy 30 Round Battle Mag**  
30 Round polymer magazine for AR-15.  
Price: \$14.50



**MP1052 Magpul Gen 3 40 Round MOE PMAG 5.56 Magazine**  
40 round magazine for the AR-15. Polymer construction. Black.  
Price: \$18.95



**HG1062 Magpul XT Full Length Rail Covers**  
Has an aggressive texture. Heat and impact resistant Black, OD Green or FDE.  
Price: \$11.35



**GP1063 Magpul XTM Handstop Panels**  
A lightweight, index point for improved weapon control, or as a forward stop.  
Price: \$18.95



**HG1126 Magpul XTM Enhanced Rail Panels**  
Textured and feature a dual side routing clip for retaining cables for lasers and lights. Black, FDE or OD Green  
Price: \$7.55



**HG1005 - Long Rail Panel**  
\$12.00  
**HG1009 - Med Rail Panel**  
\$8.95  
**HG1008 - Short Rail Panel**  
\$4.00  
Available In Black Or OD



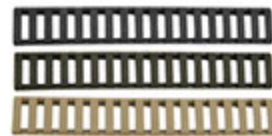
**Knight's Armament Rail Panels**  
KM1009 11 Rib Panel - \$22.00  
KM1014 9 Rib Panel - \$22.00  
KM1013 6 Rib Panel - \$22.00  
KM1012 5 Rib Panel - \$22.00  
KM1011 4 Rib Panel - \$22.00  
KM1010 2 Rib Panel - \$22.00



**HG1087 Ergolok**  
8 Panel or 4 Panel  
4 Panel, covers 8 slots  
8 Panel, covers 16 slots  
Price: \$11.50



**HG1088 Ergo Redi-Cover**  
12 Rib - Covers 15 slots or easily cuts into (3) five slot or (1) five slot and (1) ten slot.  
Price: \$11.50



**HG1001 Long Ladder Panels**  
Panels clip directly onto Picatinny rails and cover one full side. Black, FDE or OD Green  
Price: \$12.00



**MP1028 Magpul Gen 2 30 Round MOE PMAG 5.56 Magazine With Window**  
30 round magazine for the AR-15. Polymer construction. Windows on both sides allow for easy round count. Black, OD Or FDE  
Price: \$15.15



**MP1023 Magpul MOE Gen 2 30 Round PMAG 5.56 Magazine**  
Lightweight 30 round Windowless 5.56x45 NATO magazine for the AR-15, M-16 compatible. Black, OD Or FDE  
Price: \$12.30



**MP1037 Magpul 30 Round Polymer EMag 5.56 Magazine**  
The Export MAGazine is a lightweight 30-round 5.56x45 NATO magazine. For the AR15/M16 or HK 416, FN SCAR, SA-80, Beretta ARX-160, IMI Tavor and others.  
Price: \$18.95



**MP1030 Magpul Gen 3, 20 Rd Polymer PMag Magazine**  
Lightweight 20 round 5.56x45 NATO magazine for the AR-15, M-16 compatible. Black  
Price: \$13.25



**MP1049 Magpul 20 Gen 3, Rd .308 Polymer PMag Magazine**  
The 7.62 NATO/.308 Win PMAG 20LR is compatible with the KAC SR25, DPMS LR308, LWRCI, REPR, LMT 7.62 MRP, LT OBR, POF P-308, JP Ent.LRP-07. Black Only  
Price: \$18.95



**HG1007 Ergo 5-Rib Low Profile Panels**  
Panels clip directly onto Picatinny rails and cover 5 slots. Black or FDE.  
Price: \$6.50



**HG1035 Tango Down Rail Cover**  
Has an aggressive texture. Has superior heat and impact resistance Black or OD Green  
Price: \$15.00



**HG1105 Troy Rail Cover Kit**  
Durable, heat & chemical resistant synthetic polymer resin slides onto a 1913 Picatinny Rail and locks into place with a built-in retaining clip. No tools required. Package includes two 1.7", two 2.6", two 3.5", two 4.4", two 5.3" and two 6.2". Available in Black.  
Price: \$47.95



**MP1050 Magpul 25 Gen 3, Rd .308 Polymer PMag Magazine**  
The 7.62 NATO/.308 Win PMAG 20LR is compatible with the KAC SR25, DPMS LR308, LWRCI, REPR, LMT 7.62 MRP, LT OBR, POF P-308 JP Ent.LRP-07. Black Only  
Price: \$21.80



**MP1043 MP1043SND Magpul Gen 3, 30 Rd Polymer PMag Magazine**  
Lightweight 30 round 5.56x45 NATO magazine for the AR-15, M-16 compatible. Black or Sand.  
Price: \$14.20



**MP1046 Magpul 10 Round Polymer PMag Magazine**  
Lightweight 10 round 5.56x45 magazine for the AR-15, M-16 compatible. Black, OD Or FDE  
Price: \$13.25



**MP1042 Magpul Maglink Coupler**  
The MagLink is a coupler for PMAG 30 and PMAG 30 M3 magazines which allows the user to attach two magazines together for more efficient speed reloads, and to keep an additional 30 rounds of ammunition accessible on the weapon at all times. Polymer construction.  
Price: \$17.05



# Grips

# Slings



**GP1070 Magpul M-LOK MVG Grip**  
The M-LOK MVG is a light weight, inexpensive vertical foregrip that attaches directly to M-LOK compatible hand guards and forends with no additional Picatinny rails required.  
**Price: \$21.81**



**GP1071 Magpul M-LOK AFG (Angled Fore Grip)**  
The result of research and refinements done to the original AFG and AFG-2. By integrating the direct-attach M-LOK mounting system with minimalist construction Magpul were able to produce a high strength grip that only weighs 1.2 ounces, including hardware. Even though the M-LOK AFG is more compact it continues to take into account the natural body mechanics to provide a comfortable and stable user interface. **Price: \$25.60**



**GP1055 Magpul MOE MVG Grip**  
Designed for use with MOE handguards. Light weight, cost-effective vertical fore grip. OD Black or FDE. **Price: \$18.95**



**AS1094 Magpul MS3 Single Point QD Sling**  
Push-button QD sling swivel for one-point attachment. Lightweight yet durable hardware made with hardened steel and/or heavy-duty polymer Paraclip™ shackle allows for fast transition between one-point and two-point configuration. 1.25 inch wide nylon webbing material. Available in black and coyote. **Price: \$55.05**



**NEW!**  
**AS1112 Magpul MS3 Sling - Gen II**  
The rapidly-convertible MS3 allows an operator to leverage the maneuverability of one-point attachment for direct action or two-point attachment for stability. Webbing length is adjustable. Available in black and coyote. **Price: \$47.45**



**AS1077 Troy Three-Point Sling**  
A simple yet versatile non-padded 3-point sling system featuring ITW infra-red inhibitor buckles and a Velcro stock attachment system that accommodates almost any stock type from fixed A2/4 to collapsible M4 style. **Price: \$21.50**



**KM1023 Knights Vertical Grip**  
Improves controllability, handling and sight acquisition of any MWS. **Price: \$67.00**



**GP1016 Ergo Xpress Lever Broomhandle**  
Quick release vertical grip with internal storage. **Price: \$58.00**



**GP1015 Ergo Handguard Mounted Vertical Grip**  
Grip attaches directly to handguards without the use of a rail. Grip is hollow for accessories **Price: \$32.00**



**GP1001 Vertical Grip**  
Injection molded Vertical Forward Grip, extremely durable and tough. Slide rail mount to Picatinny rails with cross bolt section. \*Dual Use, compatible with rifles and shotguns. **Price: \$20.00**



**AS1075 Troy Two-Point Sling**  
Troy's new rapid adjust sling utilizes one inch webbing, ITW infra-red inhibitor buckles and a quick detach front bungee system for easier travel over tough terrain while carrying a heavy weapon. The bungee system which is now available separately, may be added to most two-point slings on the market with Troy's new sling extension. **Price: \$37.95**



**AS1076 Troy Two-Point Sling Black**  
**AS1076DE Troy Two-Point Sling FDE**  
Troy's new rapid adjust sling utilizes one inch webbing, ITW infra-red inhibitor buckles and a quick detach front bungee system for easier travel. The bungee system which is now available separately, may be added to most two-point slings on the market with Troy's new sling extension. **Price: \$28.50**



**AS1074 Troy One-Point Sling**  
You need Troy's capable and comfortable One Point BattleSling. The cushioned, non-slip shoulder pad is reversible for strong or weak-side carry. A tri-glide system, with emergency strap, positions the weapon anywhere on the shooter's chest for hands-free carry. **Price: \$34.95**



**GP1058 Magpul AFG**  
The Magpul AFG (Angled Fore-Grip) takes into account natural body mechanics and provides a comfortable and stable user interface that reduces fatigue and allows for more precise weapon control. Black, OD or FDE **Price: \$33.20**



**GP1059 Magpul AFG-2**  
The Magpul AFG (Angled Fore-Grip) Black, OD or FDE **Price: \$33.20**



**AS1078 Troy One-Point Sling Extension**  
Shock cord sling extension update for older Troy slings. Features - High strength stretch strap in MIL-SPEC tubular nylon webbing for comfort and flexibility. **Price: \$17.50**



**AS1079 Black or AS1079DE FDE Troy Two-Point Sling Extension**  
Shock cord sling extension update for older Troy slings. Features - High strength stretch strap in MIL-SPEC tubular nylon webbing for comfort and flexibility. **Price: \$18.50**



**AS1007 AR-15 Lightweight Sling**  
Black nylon with two plastic slide buckles. 1 1/4" wide **Price: \$4.95**



Back Graphic

**APGTS DTI Graphic T-Shirt - Black with Grey**  
DTI 100% cotton, pre-shrunk T-shirt, in black. DTI Graphics on front and back of T-shirt. Available in sizes, small, medium, large, x-large and 2xl - choose option above. Please note: colors may vary slightly from those pictured. **Price: \$19.99**



**APCTS Grey DTI Logo T-Shirt**  
DTI 100% cotton, pre-shrunk T-shirt. Del-Ton, Inc. logo across back and right shoulder. Available in sizes, small, medium, large, x-large, 2xl and 3xl - choose option above. Please note: color may vary slightly from photo. **Price: \$19.99**



**APHAT DTI Hats**  
DTI Hat available in green or tan. Hat embroidered in black, on the front and one side with DTI Logo. The other side has embroidered American Flag, same color as the hat. One size, velcro adjustment. Please note: colors may vary slightly from those pictured. **Price: \$15.00**



Back Graphic

**APHG DTI Grey Hoodie**  
50% cotton, 50% polyester, pre-shrunk in grey Heather. DTI logo on front left chest and across back. DTI Logo on front left chest and across back. Available in sizes, small, medium, large, x-large, 2xl and 3xl. Please note: color may vary slightly from photo. **Price: \$25.00**



**APWTBL Women's T-Shirt**  
DTI 100% ring spun cotton, pre-shrunk T-shirt in light blue. DTI Graphics on the front and back of T-shirt. Available in a range of sizes from small to XL. Please note: Light blue color may vary slightly from photo. **Price: \$19.99**



**APWTPK Women's AR T-Shirt**  
DTI 100% ring spun cotton, pre-shrunk T-shirt, in pink DTI 60% 40% poly cotton blend, pre-shrunk. DTI Graphics on the left sleeve and right side of T-shirt. Available in a range of sizes from small to XL. Please note: color may vary slightly from photo. **Price: \$19.99**



## Ordering From Del-Ton

Customers and dealers can order by visiting at [www.del-ton.com](http://www.del-ton.com). Setting up an account is very simple and will allow you the convenience of placing future orders without having to re-enter all of your billing and shipping information. You are also able to easily track the progress of your orders.

Your personal information is NEVER sold or given away.

You will find the Del-Ton product code at the beginning of each product description; this is the number you will need for ordering or to search for that item on the Del-Ton website. **Please note:** Many of our products are offered in two or three colors. Pull-down menus on each page allow you to select each option available for the product in which you are interested.

Dealers may order on the website or by purchase order.

Shipping for web orders is automatically calculated prior to submitting payment information. Add items to your cart and proceed to the Checkout page where you can see shipping method choices and costs. Orders must have a U.S. billing and shipping address.

### Military/Law Enforcement Customers

All of us at Del-Ton appreciate the bravery and dedication of the men and women who serve in our armed forces and in law enforcement. As a token of our appreciation, we offer a discount to former and active duty military and law enforcement personnel. Please call 910.645.2172 for details.

### Customer Service

At Del-Ton, we are proud of our reputation for outstanding customer service. We listen to our customers. We use the comments and feedback we receive to make improvements and better serve the AR-15 community by offering the finest in AR-15 rifles, parts, and accessories.

**Contact Information:** 910 645-2172

**Tech Support** 910 645-2172 or [techsupport@del-ton.com](mailto:techsupport@del-ton.com)  
**Sales** 910 645-2172 or [sales@del-ton.com](mailto:sales@del-ton.com)

## Warranty Information

Del-ton Inc. offers a limited lifetime warranty to the original purchaser of a Del-Ton (DTI) rifle. This warranty includes defects in materials or workmanship of the rifle. The use of reloaded ammunition that exceeds initial SAAMI specifications voids any warranty. Any repairs or modifications not done by DTI also void this warranty. A copy of the original invoice must accompany this rifle when returned for repairs. The cost of shipping to and from DTI will be the responsibility of the consumer. Rifles not assembled by DTI will not be covered by this warranty.

Del-Ton, Inc. sells lower receivers to other Federal Firearms Dealers (FFLs) throughout the US. This allows the dealer to manufacture a rifle using our parts or kits or comeditors parts, kits or assemblies. Please call us to confirm that your rifle was manufactured by DTI and carries the lifetime warranty.



**DEL-TON**  
DISTRIBUTION

330 Aviation Parkway  
Elizabethtown, NC 28337  
Phone: 910 645-2172  
FAX: 910 645-2244  
www.del-ton.com

 Find us on  
**Facebook**

Del-Ton, Inc. reserves the right to change the prices or specifications without notice. This catalog is for descriptive purposes only. For a complete listing of our terms and conditions visit our web site at [www.del-ton.com/terms.asp](http://www.del-ton.com/terms.asp)

Note: All complete rifles and lower receivers must be shipped to an FFL Dealer, please check with your local FFL for restrictions in your state.

Catalog copyright Del-Ton, Inc. 2017